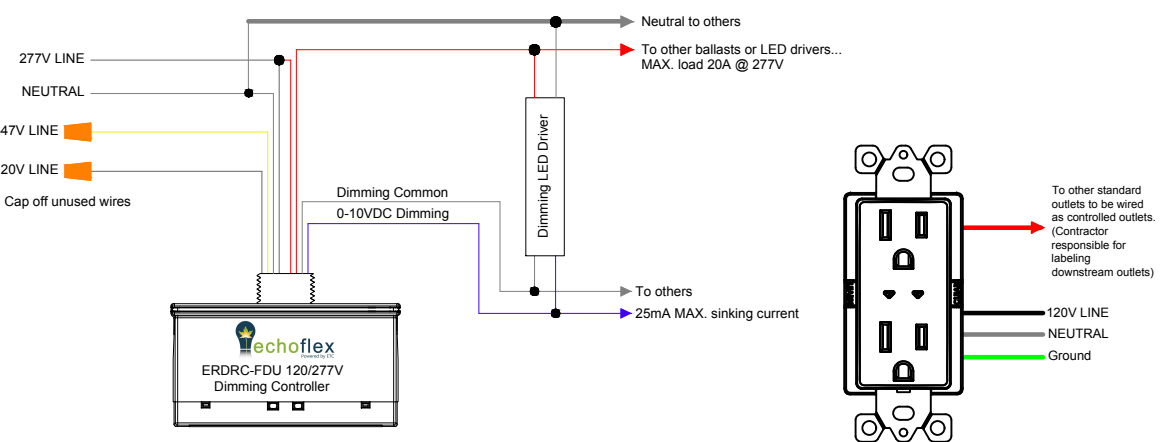


## Sequence of Operation

When the occupancy sensor in the space senses movement, receptacles and lighting will automatically turn on. The switch on the wall can be used to turn the lights on and off. A quick press up or down of the switch will turn the lights on or off. A press and hold up or down will dim the lights up or down. The daylight sensor(s) in the room will determine the level of artificial and natural light in the space and dim the lights to maintain a set point. The lowest dimming value between the daylight sensor and wall switch will be the dim level used. When the room becomes vacant, the lights and receptacles will turn off after a predetermined amount of time (default 15 minutes).

- SPECIFICATION:**
1. LIGHTING CONTROL SYSTEM TO BE MANUFACTURED BY ECHOFLEX SOLUTIONS INC.
  2. ECHOFLEX LIGHTING CONTROL SYSTEM SHALL HAVE THE ABILITY TO BE FACTORY PRE-LINKED AND PRE-CONFIGURED OR PROGRAMMED ON SITE USING SIMPLE TAP, SMART CLICK OR GARIBALDI SOFTWARE.
  3. CONTROLLERS SHALL BE ABLE TO FUNCTION AS A STAND ALONE SYSTEM ALONG WITH THEIR OPTIONAL PERIPHERAL WIRELESS DEVICES INCLUDING A WALL SWITCH, SPLIT CONTROLLED RECEPTACLE, AND OCCUPANCY SENSOR.
  4. CONTROLLERS SHALL BE ABLE TO BE NETWORKED TOGETHER TO FORM AN INTEGRATED BUILDING SOLUTION.
  5. ECHOFLEX ERDRRC: 0-10V DIMMING ROOM CONTROLLER SHALL BE ETL RECOGNIZED, CONFORMING TO UL2043 PLENUM RATING AND UL508 STANDARDS. ALL SYSTEM CONTROL ELECTRONICS SHALL STORE PROGRAMMING IN NON-VOLATILE MEMORY. THE CONTROLLER SHALL BE CAPABLE OF REPEATING SIGNALS AND TRANSMITTING STATUS.
  6. OCCUPANCY SENSORS (OS): OCCUPANCY SENSOR SHALL BE SOLAR POWERED WIRELESS SENSOR WITH AN OPTIONAL BATTERY. SENSOR SHALL BE COMPATIBLE WITH OCCUPANCY AND VACANCY MODES WHEN USED IN CONJUNCTION WITH THE DIMMING ROOM CONTROLLER. SENSOR SHALL PROVIDE LED INDICATION FOR RF RANGE CONFIRMATION. SENSOR SHALL WIRELESSLY COMMUNICATE WITH THE SPLIT CONTROLLED RECEPTACLE. SENSOR SHALL HAVE ABILITY TO FUNCTION UP TO 9 DAYS IN COMPLETE DARKNESS.
  7. RF SYSTEM SHALL NETWORK WIRELESSLY. INTEGRATION WITH BMS/DEMAND RESPONSE VIA THE USE OF GATEWAYS AND WIRELESS/WIRED I/O INTERFACES. VERIFY AND INSTALL ONLY THOSE INTERFACES INDICATED ON THE PLANS.
  8. EC SHALL INSTALL ECHOFLEX SYSTEM AS INDICATED PER MANUFACTURER'S FINAL DRAWINGS AND INSTALLATION DOCUMENTS IN ACCORDANCE TO ALL LOCAL AND NATIONAL CODES. FACTORY ONSITE START UP AND TRAINING IS OPTIONAL. ECHOFLEX REQUIRES 3 WEEKS ADVANCED NOTICE TO SCHEDULE ONSITE START UP IF REQUESTED. ECHOFLEX WILL PROVIDE SYSTEM VERIFICATION AND ADJUST PROGRAMMING IF REQUIRED TO CUSTOMER REQUIREMENTS.



Typical Material List		
Qty	Part #	Description
3	ERDRRC-FDU	Dimming Controller 120/277V
2	MOS-DTUA	Occupancy/Vacancy Sensor (1000 Sq. Ft.)
2	TAP-21U	Interior Photo Sensor
1	ERNR-AU	Split Controlled Receptacle
2	PTM265UW	Decorator Style Switch
1	ERCCI	Central Command Interface

Title 24 Compliance			
Section	Requirement	Device	Part #
130.1a/b	Local Switching Multi-Level Dimming		PTM265UW
130.1c	Fully Automatic Light shut Off		MOS-DTUA
130.5d	Plug-Load Control		ERDRRC-FDU
130.1d	Multi-Level Daylight Control		TAP-21U
130.1e	Demand Response Ready		ERCCI

**Echoflex ERDRRC-FDU**

- Mounts through 1/2" knockout into J Box or fixture
- Communicates on 902 MHz frequency
- 0-10V dimming capability up to 25mA of sinking current
- Controls up to 20A of lighting load
- Configurable through software or other mechanical means

**Echoflex ERNR-AIU**

- Mounts in a standard single gang box
- Communicates on 902 MHz frequency
- Top half uncontrolled, bottom half controlled
- Arrows light up indicating controlled half
- Unit controls up to 15A of plug load
- Configurable through software or other mechanical means
- Interior radio range of no less than 50' laterally

## Typical Open Office w/Daylight Harvesting

12. CONTACT ECHOFLEX SOLUTIONS  
 JASON NABB - 1.714.277.8724  
 JASON.NABB@ECHOFLEXSOLUTIONS.COM  
 HEAD OFFICE - 1.778.733.0111  
 SALES@ECHOFLEXSOLUTIONS.COM

**Echoflex Solutions, Inc.**  
 38924 Queens Way Unit #1  
 Squamish, British Columbia  
 Canada V8B 0K8  
 Phone: 1 (778) 733-0111  
 Toll Free: 1 (888) 324-5359  
 Fax: 1 (604) 815-0078  
 www.echoflexsolutions.com

Powered by ETC

UNLESS OTHERWISE SPECIFIED - ALL DIMENSIONS IN MILLIMETERS - #BDC-9490