

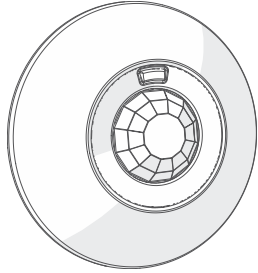
Echoflex Installation Guide

Elaho Dual Tech Ceiling-mount Occupancy Sensor

Overview

The Elaho Dual Tech Ceiling-mount Occupancy Sensor uses passive infrared (PIR) technology and acoustic detection to provide reliable occupancy and vacancy sensing for lighting control.

The ceiling-mount sensor offers 360 degree coverage with optimized lens options to accommodate small spaces, large spaces, and spaces with high ceilings.

Model	Coverage m ²	Coverage ft ²	
E-DOC-C-SR Small Room	41.8 m ² at 2.4 m	450 ft ² at 8 ft	
	74.3 m ² at 6.7 m	800 ft ² at 12 ft	
E-DOC-C-LR Large Room	167 m ² at 2.4 m	1,800 ft ² at 8 ft	
	279 m ² at 6.7 m	3,000 ft ² at 12 ft	
E-DOC-C-HC High Ceiling	28 m ² at 2.4 m	300 ft ² at 10 ft	
	650 m ² at 12.2 m	7,000 ft ² at 40 ft	

Field-installed lens masks are provided to allow customized detection fields for each sensor lens type.

Custom Configuration

This document guides you through the installation and local DIP switch setup of the sensor. For more detailed information about custom configuration options available using ElahoAccess, see the ElahoAccess App integrated help system.



Note: To use the configuration settings applied using ElahoAccess, DIP switch 2 must be enabled. See [DIP Switches on page 7](#).



Echoflex Installation Guide

Dual Tech Occupancy Sensor

Prepare for Installation

Ceiling-mount sensors are intended for installation to a finished ceiling surface, soft ceiling tile mounted, or attached to a round or octagonal fixture junction box.

Compliance

- cULus Listed
- CE compliant

For use with Echoflex Elaho Control Systems, powered by an Elaho station power supply.

Environment

Ambient

For indoor, commercial controls use only. Operating temperature 0-40°C (32-104°F), humidity maximum 90% (non-condensing).

Location

Echoflex recommends paying special attention to the installation environment:

- When operating in PIR only modes, the sensor must have an unobstructed view of the room. Do not mount behind or near tall cabinets, shelves, hanging light fixtures, etc.
- Do not install the sensor within eight feet from an HVAC airflow duct/vent.
- Install the sensor where it cannot easily sense movement in areas outside of the intended space, such as hallways, glass partitions, or adjacent rooms. If the installation location cannot avoid these conditions, portions of the lens can be masked to block the sensor view of these undesired areas. See [Lens Masking on page 11](#).



Note: *In areas of increased noise activity, enabling PIR only mode may allow for better occupancy and vacancy detection results. See [DIP Switches on page 7](#).*

Echoflex Installation Guide

Dual Tech Occupancy Sensor

Wire Specification

The Dual Tech Occupancy Sensor connects to the EchoConnect communication bus. EchoConnect is a bi-directional protocol that uses one pair of wires (data + and data -) for both data and power. Echoflex recommends using Belden 8471 Class 2 wire (or approved equal - see the Echoflex cable cross database echoflexsolutions.com/files/Elaho_Data_Cable_Wire_Spec for equal alternatives). The total combined length of an EchoConnect wire run using Belden 8471 may not exceed 500 m (1,640 ft), with a maximum distance of 400 m (1,312 ft) between any two devices.



Note: *All control wiring should be installed and terminated by a qualified installer and should follow standard wiring installation practices. Leave approximately 25.4 cm (10 in) of wiring in the back box for connection and to allow slack for future service needs.*



Note: *Echoflex requires that all stations and devices be grounded for ESD protection. Pull an additional 2.5 mm² (14 AWG) wire for grounding when control wires are not installed in grounded metal conduit.*



Note: *When using Category 5 (or equivalent) cable on the EchoConnect communication bus, please note the following:*

- *Cat5 wiring must be terminated using EchoConnect Cat5 Termination Kit and must be installed using a bus topology. Refer to the installation guide that is provided with the Cat5 Termination Kit (8186A1207) for information to terminate Cat5 wiring.*
 - *Not all topologies are supported using Cat5; careful planning is required to ensure the proper termination kits are available and the wire is pulled appropriately.*
-

Supplies

The following supplies are provided with the sensor:

- Soft ceiling tile adapters
- 2 each mounting screws, 6-32 x 3/4" and 6-32 x 1 3/4"
- Lens masks
- WAGO connectors, 3-position

Echoflex Installation Guide

Dual Tech Occupancy Sensor

Installation



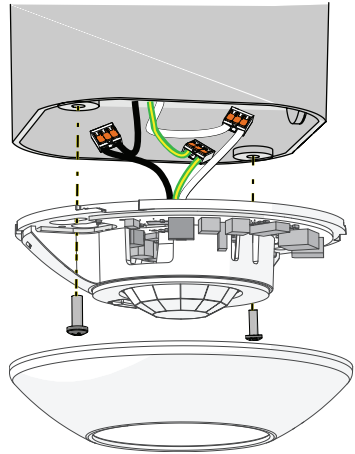
Note: *Installation must follow all national and local codes for electrical equipment. NEC Class 2 product to be wired in accordance to NEC Article 725 and local jurisdiction requirements.*

The ceiling-mount sensor is provided with a mounting plate that can be mounted to a junction box, finished ceiling, or soft ceiling tile. Determine the installation method and follow the detailed instructions:

- [Junction Box or Surface Installation below](#)
- [Soft Ceiling Tile Installation on the facing page](#)

Junction Box or Surface Installation

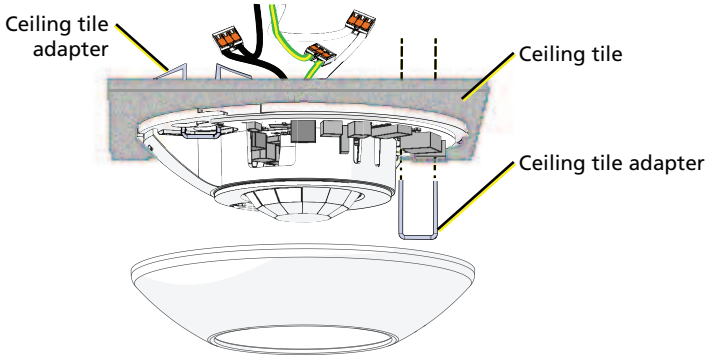
1. Pull the Belden 8471 (or equivalent) and one 2.5 mm² (14 AWG) ground wire to the mounting location (junction box or finished surface) and strip each wire 11 mm (7/16 in).
2. Temporarily remove the sensor cover to gain access to the configuration switches and mounting access holes. Hold the sensor in one hand while gently twisting the cover clockwise.
3. Connect the EchoConnect wires from the sensor to the installed wires.
 - a. Connect the data - EchoConnect wire (black) from sensor to the incoming data - EchoConnect wire (typically black) using a WAGO wire termination connector.
 - b. Repeat the above step for the data + EchoConnect wire (typically white) and for the ESD ground wire (typically green/yellow), using a new WAGO connector for each termination type.
4. Orient the flat side of the sensor to the junction box or surface and secure it in place using the screws provided (both short and long screws are provided for installation convenience).



Echoflex Installation Guide

Dual Tech Occupancy Sensor

Soft Ceiling Tile Installation



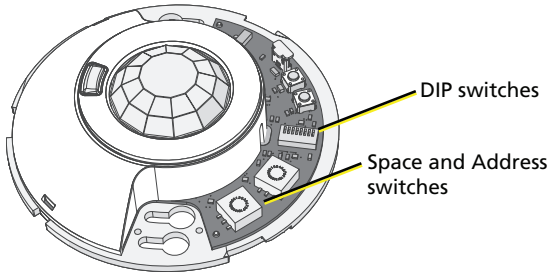
1. Pull the Belden 8471 (or equivalent) and 2.5 mm² (14 AWG) ground wire to the mounting location and strip each wire 11 mm (7/16 in).
2. Temporarily remove the sensor cover to gain access to the configuration switches and mounting access holes. Hold the sensor in one hand while gently twisting the cover clockwise.
3. Prepare the ceiling tile.
 - a. Align the flat side of the sensor to the finished side of the ceiling tile and mark the center access hole for wire pass-through.
 - b. Remove the ceiling tile material from marked access hole.
 - c. Pull the sensor wires through the access holes to the unfinished side of the ceiling tile.
4. Secure the sensor in place.
 - a. Insert the soft ceiling tile adapters through the provided pinholes on the sensor, one set located on each side of the sensor near the mounting keyholes.
 - b. Push the adapters through the ceiling tile, and then bend each tine over in opposite directions for a secure fit on the unfinished side of the ceiling tile.
5. Connect the EchoConnect wires from the sensor to the installed wires.
 - a. Connect the data - EchoConnect wire (black) from sensor to the incoming data - EchoConnect (typically black) wire using a WAGO wire termination connector (provided).
 - b. Repeat the above step for the data + EchoConnect wire (white) and for the ESD ground wire (typically green/yellow), using a new WAGO connector for each termination type.

Echoflex Installation Guide

Dual Tech Occupancy Sensor

Settings

The Elaho Dual Tech Ceiling-mount Occupancy Sensor participates in an Elaho control system using the configured Space and Address, which are selectable using the rotary



switches on the sensor electronics located behind the removable cover.

DIP switches and the **[MODE]** button, also located on the sensor electronics, set the sensor functionality and the occupancy detection action when set to Basic configuration mode. See [Configuration on page 8](#).



Note: When the sensor is placed into Custom configuration mode, DIP switch 2 set to On, all other DIP switch and Mode button settings are ignored.

Set Space and Address

Two rotary switches on the sensor electronics provide for Space and Address assignment for the sensor. By default, these switches are set to Space 1, Address 1. Commands are shared by all devices within a given space.

1. Set the Space rotary switch to the desired number (1 through 16) for the space you want the sensor to control.
2. Set the Address rotary switch to desired address (1 through 16) for the sensor identification in the selected space.



Note: Do not duplicate a device Address within the same Space.

Echoflex Installation Guide

Dual Tech Occupancy Sensor

DIP Switches

DIP switches on the sensor electronics provide for additional configuration options including Use Custom Config, Vacancy Timeout, Enable/Disable detection LEDs, PIR Only Mode, and the ability to restore the sensor to its factory defaults.

Switch #	Use
1	Unused (leave Off)
2	Enable/Disable Custom Config Mode <ul style="list-style-type: none">• When "Custom Config" is set to Off (default), also known as Basic configuration mode, the local DIP switch settings for Vacancy Timeout, Enable PIR LED, and dual technology features are used. Sensor actions can be adjusted using the program [MODE] button. This is the default setting. See Configuration on page 8.• When "Custom Config" is set to On, all other local DIP switch settings are ignored. Instead, the settings made by the ElahoAccess App are used.
3 and 4	Vacancy Timeout <ul style="list-style-type: none">• 5 min = Switches 3 and 4 are Off• 15 min = Switch 3 is Off and Switch 4 is On (default)• 30 min = Switch 3 is On and Switch 4 is Off• Auto = Both switches are On
5	Detection LEDs <ul style="list-style-type: none">• When set to On (default), the occupancy detection LEDs illuminate when movement is detected.• When set to Off, the occupancy detection LEDs are disabled unless the unit is in Walk Test mode.
6	PIR Only Mode <ul style="list-style-type: none">• When set to On, acoustic detection technology is disabled for the sensor.• When set to Off (default), both PIR and acoustic detection technologies are used by the sensor.
7	Unused (leave Off)
8	Restore to Defaults at boot <ul style="list-style-type: none">• When set to On and power is cycled to the sensor, the unit restores to its factory default settings.• Off is the default setting.

Echoflex Installation Guide

Dual Tech Occupancy Sensor

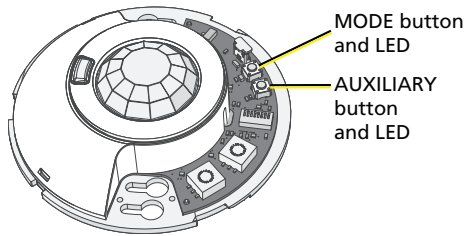
Power Up

All EchoConnect terminations in the system must be made before applying power to the system and sensor. When the sensor is powered up, the PIR and acoustic detection LEDs illuminate for one minute for calibration and warm-up. Both the PIR and acoustic detection features of the sensor will automatically adjust the sensitivity threshold to eliminate nuisance tripping. During this time configuration is not allowed and no events are triggered.

Configuration

Basic

A sensor that is set for Basic configuration mode (DIP switch 2 set to Off) can be further configured locally using the other available DIP switch settings, and the **[MODE]** and Auxiliary **[A]** buttons and their associated LEDs. See [Preset on the facing page](#).



Custom

A sensor that is set for Custom configuration mode (DIP switch 2 set to On) can be customized using the ElahoAccess App.

For more detailed information about custom configuration options available using ElahoAccess, see the ElahoAccess App integrated help system.

Echoflex Installation Guide

Dual Tech Occupancy Sensor

Preset

While in Basic configuration mode (DIP switch 2 set to Off), use the **[MODE]** and Auxiliary **[A]** buttons to program the preset that is activated with an occupancy detected state change. By default, this is Preset 1. When vacancy is detected, the default action event is Off.

Follow these steps to configure the preset for your sensor:

1. Access the sensor electronics and press and hold the **[MODE]** button for three seconds to enter "Program Mode." The Mode LED lights in amber to indicate the sensor is in Program Mode and the Auxiliary LED flashes to indicate the preset number controlled by the occupancy action. By default, this is Preset 1, therefore the LED will flash one time, pause two seconds and flash again.
2. Press and release the Auxiliary **[A]** button the number of times that corresponds to the preset that you want to use. For example, press the **[A]** button eight times to set Preset 8. The LED flashes the number of the preset used.
3. Press and release the **[MODE]** button to save the current setting.

Operation

Dual Technology

When both PIR and acoustic detection are used, the following logic is used:

- When the space is vacant, PIR detection and manual control can switch the state to occupied.
- When the space is occupied, PIR, acoustic detection, and manual control can reset the vacancy timeout.
- When occupancy in the space has only been triggered by acoustic detection for 60 minutes, acoustic detection is disabled until the next PIR detection event.

PIR (only) Detection

When acoustic detection is disabled (DIP switch 6 set to On), the following logic is used:

- When the space is vacant, PIR detection and manual control can switch the state to occupied.
- When the space is occupied, PIR detection and manual control can reset the vacancy timeout.

Vacancy Timeout

Vacancy timeout is the amount of time the sensor waits to take action after no movement is detected. By default, vacancy timeout is set to 15 minutes (indicated by DIP switch 3 set to Off and 4 set to On; see [DIP Switches on page 7](#)). When the vacancy timeout ends, the grace period begins.

Echoflex Installation Guide

Dual Tech Occupancy Sensor

When the sensor detects vacancy, the vacancy timeout period begins. If the sensor does not detect occupancy again during the vacancy timeout period, the lights turn off and a 30 second grace period begins.

Grace Period

The sensor features a 30 second grace period after a vacancy timeout occurs. During this grace period, if the sensor detects occupancy, it will turn on or restore the previous lighting condition.

Auto Vacancy Timeout

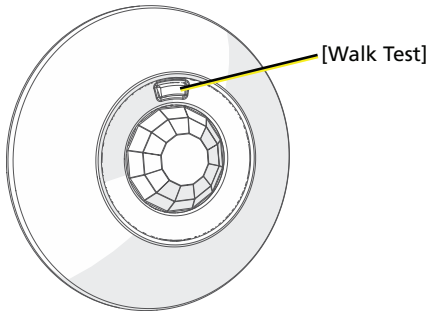
The "Auto" vacancy timeout setting varies the vacancy timeout between 5 and 30 minutes depending on how often it identifies an occupancy trigger after a vacancy timeout occurs (during the grace period).

Echoflex Installation Guide

Dual Tech Occupancy Sensor

Walk Test

The sensor offers a Walk Test mode, which shortens the vacancy timer to ten seconds and allows for simple and quick verification of the sensor's coverage and range in the installed space.



1. Prepare the site for configuration.
 - a. Make certain the sensor and lighting loads are powered and connected for control by the Elaho control system.
 - b. You will need direct access to the sensor in order to place it into Walk Test mode.
2. Press the Walk Test button on the sensor to enable the Walk Test feature. A green LED will flash, indicating Walk Test is enabled and the vacancy timer will be shortened to ten seconds.
3. Move throughout the space including corners and areas that may be obscured from line of sight to the sensor. Each time the sensor detects movement, the lens illuminates red. If acoustic detection is enabled, any sound detected will illuminate the lens green.
4. Adjust the lens masking, if installed, blocking certain areas of the installed space from sensor detection. See [Lens Masking below](#).
5. Walk Test mode automatically exits and the sensor returns to normal operation after five minutes. You can also manually terminate by pressing the Walk Test button again.

Lens Masking

Lens masks are provided in the packaging for your convenience. Use this to block a section of the lens from detecting occupancy. To attach, cut to the desired size, remove the backing and stick it on the sensor lens, covering the desired sections.

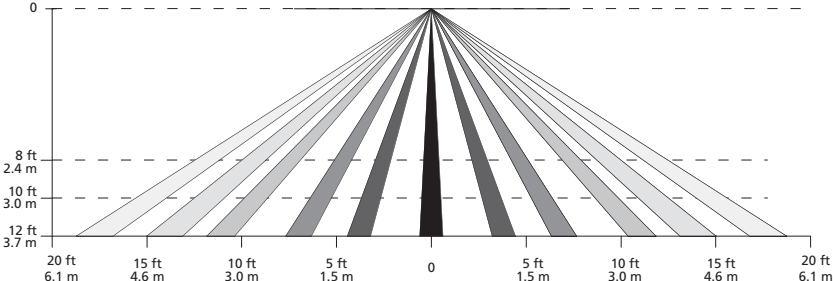
Echoflex Installation Guide

Dual Tech Occupancy Sensor

Sensor Coverage

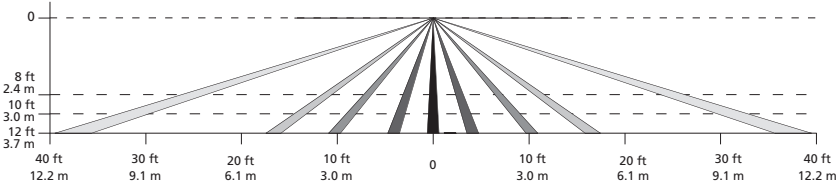
Small Room Lens

Side View



Large Room Lens

Side View



High Ceiling Lens

Side View

