



Type(s)
Project
Date
Notes

GENERAL INFORMATION

The ELEDR Power Load Controller is a versatile device that can be used in a variety of switching applications. The integral relay can be used to switch circuits for lighting, motor, receptacle, or general purpose loads.

The controller switches the load with received input from linked wireless devices; switches, sensors or gateways. The controller activates loads based on:

- Room occupancy state
- Ambient light level
- Timeclock scheduled events
- BEMS or network commands
- Wall switch stations

The controller delivers process control for circuit or fan control applications eliminating long wire runs.

Two models of the ELEDR are available. The ELEDR provides control of electrical circuits from 120 VAC through to 277 VAC and the ELEDRH operates from 240 VAC to 347 VAC.

Echoflex ELED products include preset functionality that allows spaces to be lit with lighting scenes. Presets can be activated from scene stations, wireless timeclocks or gateways. A lockout feature allows timeclocks to schedule a controller's response to specific sensor types or stations based on time-of-day.

Simple Tap technology is included allowing installers and facility operators to manage configuration settings without any specialized tools.

The ELEDR is fully supported in Echoflex's precommissioning services when sold as a system. Echoflex also provides in-field software tools for configuring and verifying controller operation once installed.

APPLICATIONS

- Education: Classrooms, learning assistance
- Restaurants: Dining rooms, banquet halls
- Healthcare: Exam rooms, clinical environments
- Commercial office: Conference and meeting rooms
- Retail: Showcase displays

ORDERING INFORMATION

Power Load Controller

MODEL	DESCRIPTION
ELEDR-AU 120-277	Power Load Controller, 1/2 in nipple mount, 120–277 VAC
ELEDRH-AU 240-347	Power Load Controller, 1/2 in nipple mount, 240–347 VAC

FEATURES

- Single relay control output
- Motor load ratings of: 1.5 hp @120 V or 3 hp @277 V
- Integrated daylight harvesting control with photo inhibit mode
- Occupancy state options of automatic partial-ON control or vacancy control with manual-ON, partial/full-OFF
- Multiple embedded preset values allow lighting scene recall
- Lockout feature allows masking of sensor inputs based on time-of-day events
- Used with battery-free wall switches, photo sensors and occupancy sensors
- Pre-linking and pre-commissioning available when sold as a system through Echoflex
- Central Command support for Building Energy Management System (BEMS) gateway or timeclock control
- Easy installation on electrical junction boxes with 1/2 in nipple mount
- Easy commissioning options include embedded Simple Tap technology plus Garibaldi Pro, Echoflex's remote commissioning software
- Doubles as a telegram repeater
- Energy code compliant factory defaults

SPECIFICATIONS

HARDWARE

- Power supply: (ELEDL)120–277 VAC or (ELEDRH) 240–347 VAC at 50/60 Hz, 1 pole
- Power consumption: (ELEDL) 950 mW max. (no load), (ELEDRH) 500 mW max. (no load)
- Inputs: LEARN and CLEAR buttons
- Outputs: Two Tri-Color LED indicators, Learn and Power

SAFETY STANDARDS MAXIMUM LOAD: TYPE AND RATING

- Electronic ballast or LED driver:
 - ELEDL: 16 A at 120–277 VAC
 - ELEDRH: 16 A at 240–347 VAC
- Standard / Magnetic ballast:
 - ELEDL: 20 A at 120–277 VAC
 - ELEDRH: 20 A at 240–347 VAC

COMMUNICATIONS

- 902 MHz (U) radio frequency
- Wireless range of up to 24 m (80 ft) - commercial office spaces (typical), up to 100 m (330 ft) line-of-sight
- Integrated whip antenna

ENVIRONMENTAL

- Operating temperature: -5°C to 50°C (23°F to 122°F) ambient
- Relative humidity: 5%–93% non-condensing, indoor use only

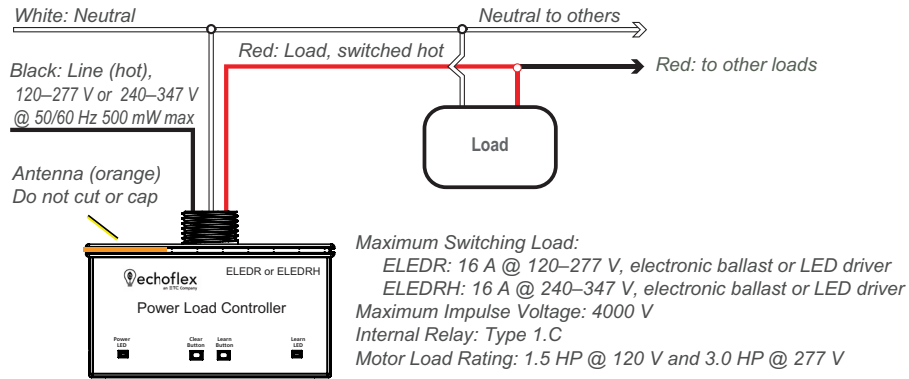
REGULATORY AND COMPLIANCE

- California Energy Commission Title 24 - CEC
- Washington State Energy Code - WSEC
- ANSI / ASHRAE / IES Standard 90.1
- International Energy Conservation Code - IECC
- New York City Energy Conservation Code - NYCECC
- UL Standards: UL 924, UL 60730, UL 2043 Plenum rated
- Certified to CAN/CSA Std. E60730
- FCC Part 15.231 - Remote Control Transmitter
- Industry Canada RSS-210

Remote Devices Supported

MODEL	DESCRIPTION
EEP: F6-02-02	Light and Blinds Control - EU and US/Canada applications
EEP: F6-04-01	Keycard activated switch
EEP: A5-06- (01-05)	Light Sensor
EEP: A5-07-01	Occupancy Sensor - with supply voltage
EEP: A5-37-01	Energy Management - Demand Response
EEP: A5-30-02	Window or door contact
EEP: A5-38-08	Central Command - switching, dimming, set point
MSC	Structured Command, manufacturer specific, contact Echoflex for more details

WIRING DIAGRAM



PHYSICAL

Power Load Controller Weight and Dimensions†

MODEL	HEIGHT		WIDTH		DEPTH		WEIGHT	
	mm	in	mm	in	mm	in	g	oz
ELEDH(H)	50	2.0	91	3.6	50	2.0	397	14

†Note: Mounts in typical flush-mount North American style two-gang electrical boxes, minimum depth 50 mm (2.0 in)

