

Type(s)  
Project  
Date  
Notes

## GENERAL INFORMATION

The ELED1 is a wireless power pack style lighting controller designed to operate with today's dimmable luminaires. Combining a 120–277 VAC input, 0–10 V dimming capability and a rugged load relay, the ELED1 is ideal for individual fixture or single zone lighting control. The controller provides fixture intensity and control based on occupancy state, manual switch action, ambient light levels, and gateway commands. The ELED1 meets industry needs for performance, savings, and easy installation.

Provides intuitive lighting control based on the occupancy state monitored by linked sensors. Detection on the dimming interface adjusts the operation to switching or dimming automatically. Daylighting control sequences satisfy both open-ceiling atrium areas or traditional office spaces. Energy code support is defined within factory default settings, ensuring out-of-the-box, nationwide compliance.

Echoflex ELED products include preset functionality that allows spaces to be lit with lighting scenes. Presets can be activated from scene stations, wireless time clocks or gateways. A lockout feature allows time clocks to schedule a controller's response to specific sensor types or stations based on time-of-day.

Echoflex offers pre-commissioning on all products sold as a system through Echoflex. Simple Tap technology allows installers and facility operators to configure settings without any special tools.

## APPLICATIONS

- Educational institutions
- Hospitality and restaurants
- Healthcare
- Commercial offices
- Conference rooms
- Retail stores

## FEATURES

- Provides open-plan shared occupancy control to maximize energy savings
- Individual fixture or single zone control with 0–10 V dimming
- Integrated daylight harvesting control with photo inhibit mode
- Occupancy control with auto ON/OFF or vacancy control with manual-ON/auto-OFF
- Automatically detects dimming loads to easily adapt to switching or dimming functions
- Built-in preset values can be used to create lighting scenes driven by wall station, time clock or gateway command
- Lockout control allows scheduling of linked responsive devices
- Pre-linking and pre-configuration available when sold as a system
- Easy installation on electrical junction boxes with 1/2 in nipple mounting bracket
- Easy commissioning options include embedded Simple Tap technology plus Garibaldi Pro, Echoflex's in-field commissioning software
- Meets the latest revisions of California Title 24, IECC and ASHRAE 90.1 requirements

## ORDERING INFORMATION

### Echoflex ELED1 LED Fixture Controller

MODEL	DESCRIPTION
ELED1-DUN 120-277	LED Fixture Controller, 1/2 in Nipple Mount, 120–277 VAC
ELED1-DUS 120-277	LED Fixture Controller, Strap Mount, 120–277 VAC

### Equipment Profiles - Remote Devices Supported

MODEL	DESCRIPTION
EEP: F6-02-01/02	Light and Blinds Control - EU and US/Canada applications
EEP: A5-06-02/03	Light Sensor - ambient light level ranges with supply voltage
EEP: A5-06-01/05	Light Sensor - exterior light level ranges with supply voltage
EEP: A5-06-04	Light Sensor - curtain wall brightness sensor
EEP: A5-07-01/02	Occupancy Sensor - with supply voltage
EEP: A5-07-03	Occupancy Sensor - with supply voltage and 10-bit light level
EEP: A5-37-01	Energy Management - Demand Response
EEP: A5-38-08	Central Command - switching and dimming
EEP: D2-14-25	Light Sensor and CCT - light intensity
EEP: F6-04-01	Keycard activated switch
EEP: A5-30-02	Window or door contact

## SPECIFICATIONS

### ELECTRICAL

- Power supply: 120–277 VAC, 60 Hz
- Power consumption: 1.0 W, fully-loaded
- Inputs: Learn and Clear buttons for sensor assignment
- Outputs: LED indicators, Learn (green), Power (red)
- Maximum dimming load: 0–10 V with 100 mA sinking current
- Inrush current rating: 500 A/2 ms at 277 VAC (I<sup>2</sup>t: 460 A<sup>2</sup>s at 277 VAC)
- Safety standards maximum load: Type and rating
  - Electronic ballast: 11.5 A at 120–277 VAC
  - LED driver: 11.5 A at 120–277 VAC

### MECHANICAL

- Ambient operating temperature: -10°C to 60°C (14°F to 140°F)
- Relative humidity: 5–93% RH (non-condensing)
- Weight: 113 g (4.0 oz)
- Mounting: 1/2 in nipple mount or strap mount model
- Dimensions:
  - Nipple mount model: 45.8 x 63.2 x 32.6 mm (1.8 x 2.5 x 1.3 in)
  - Strap mount model: 42.5 x 96.5 x 29.6 mm (1.7 x 3.8 x 1.2 in)

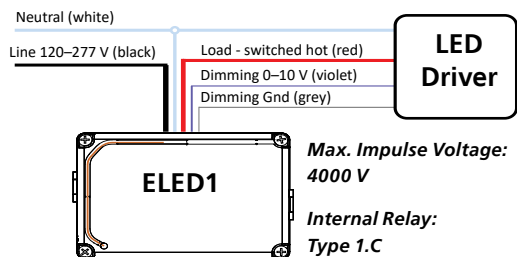
### COMMUNICATIONS

- 902 MHz (U) FCC ID: SZV-TCM515U, Industry Canada: 5713-TCM515U
- Wireless range of up to 24 m (80 ft) - commercial office spaces (typical), up to 100 m (330 ft) line-of-sight
- Integrated whip antenna

### REGULATORY AND COMPLIANCE

- California Energy Commission Title 24 - CEC
- Washington State Energy Code - WSEC
- ANSI / ASHRAE / IES Standard 90.1
- International Energy Conservation Code - IECC
- New York City Energy Conservation Code - NYCECC
- Certified to UL Standard 924
- Certified to UL Standard 60730
- Certified to CAN/CSA Std. E60730
- UL 2043 Plenum rated
- FCC Part 15.231 - Remote Control Transmitter
- IC RSS-210

## WIRING DIAGRAM

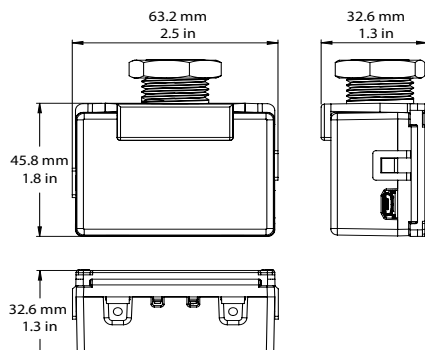


## PHYSICAL

### ELED1 LED Driver Weight and Dimensions

MODEL	HEIGHT		WIDTH		DEPTH		WEIGHT	
	mm	in	mm	in	mm	in	g	oz
Nipple Mount	45.8	1.8	63.2	2.5	32.6	1.3	113	4.0
Strap Mount	42.5	1.7	106.0	4.2	29.6	1.2	113	4.0

### NIPPLE MOUNT



### STRAP MOUNT

