

Overview

Lighting Designers and Engineers specify LED luminaires to deliver savings and performance. Contractors are looking for quick, trouble-free installations. Everyone is looking for a cost effective solution that meets industry demands without complication or risk.

The ELED1 is a wireless power pack style lighting controller designed to operate with today's dimmable luminaires. Combining a 120-277VAC input, 0-10V dimming capability and a rugged load relay, the ELED1 is ideal for individual fixture or single zone lighting control. The controller provides fixture intensity and control based on occupancy state, manual switch action, ambient light levels and gateway commands.

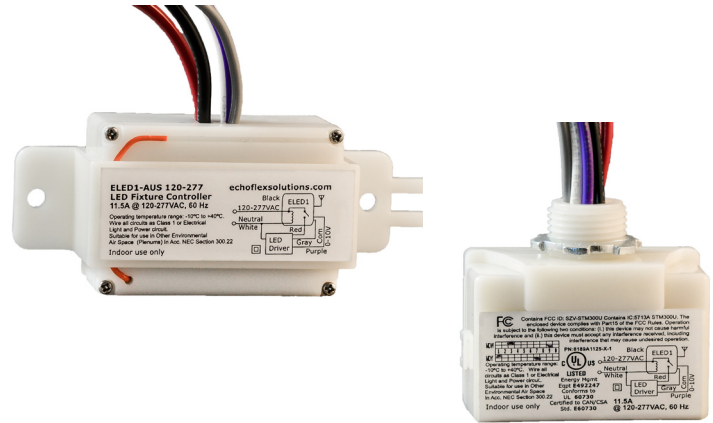
Intuitive application operation begins with automating lights on and off with occupancy when only sensors are linked. Auto-detection on the dimming interface adjusts controller operation between switching to dimming automatically. A photo-inhibit feature can temporarily disable automatic-ON lighting when natural light is above set point. Inherent versatility is demonstrated by delivering daylighting control sequences satisfying both open-ceiling atrium areas or traditional office spaces. Energy code support is defined within factory default settings insuring out-of-box, nation-wide compliance.

Echoflex ELED products now include preset functionality that allows spaces to be lit with *lighting scenes*. Presets can be activated from scene stations, wireless time clocks or gateways. A lockout feature allows time clocks to schedule a controller's response to specific sensor types or stations based on time-of-day.

The controller is Range Confirmation® compatible, working with all Echoflex sensors equipped with the Range Confirmation® feature to provide visual feedback of a linked sensor's signal strength for optimal sensor placement.

Echoflex offers pre-linking and pre-commissioning on all products sold as a system through Echoflex.

Simple Tap™ technology is included allowing installers and facility operators to manage configuration settings without any specialized tools.



Features

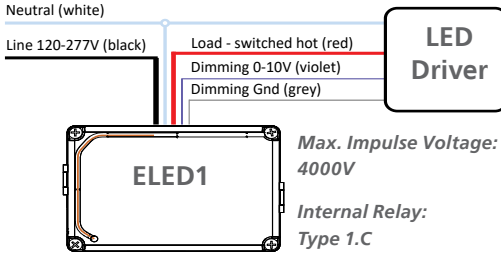
- Individual fixture or single zone control with 0-10V dimming
- Integrated daylight harvesting control with photo inhibit mode
- Occupancy control with auto- ON/OFF or vacancy control with manual-ON/auto-OFF
- Automatically detects dimming loads for easy adaption between switching and dimming functions
- Multiple embedded preset values allow lighting scene recall
- Lockout control allows scheduling of sensor inputs
- Used with battery-free wall switches, photo sensors and occupancy sensors
- Support for hospitality applications: key card switches, door and window magnet contact switches, room operating panels and IBS contacts
- Pre-linking and Pre-commissioning available when sold as a system through Echoflex
- Central Command support for BEMS gateway control
- Range Confirmation® allows optimal placement of linked sensors - (Echoflex sensors with range confirmation feature only)
- Easy installation on electrical junction boxes with 1/2" nipple mounting bracket
- Easy commissioning options include embedded Simple Tap™ technology plus Garibaldi, Echoflex's remote commissioning software
- Doubles as a telegram repeater
- Energy code compliant

Ordering Information

Description	902 MHz Model	Part Number
LED Fixture Controller, 1/2" Nipple Mount, 120-277VAC	ELED1-BUN 120-277	8189A1125-X-1
LED Fixture Controller, Strap Mount, 120-277VAC	ELED1-BUS 120-277	8189A1128-X-1

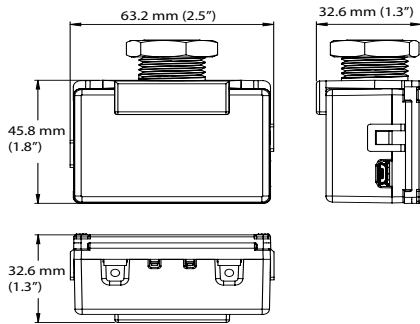
ELED1

Wiring Diagram

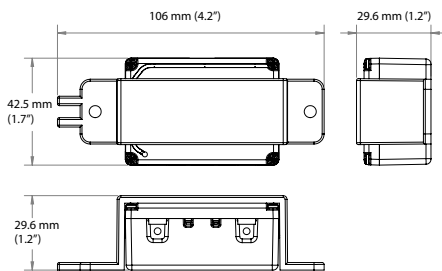


Dimensional Diagrams

Nipple mount model



Strap mount model



Equipment Profiles - Remote Devices Supported

EEP: F6-02-01/02	Light and Blinds Control - EU and US/Canada applications
EEP: A5-06-02/03	Light Sensor - ambient light level ranges with supply voltage
EEP: A5-06-01/05	Light Sensor - exterior light level ranges with supply voltage
EEP: A5-06-04	Light Sensor - Curtain Wall Brightness Sensor
EEP: A5-07-01/02	Occupancy Sensor - with supply voltage
EEP: A5-07-03	Occupancy Sensor - with supply voltage and 10-bit light level
EEP: A5-37-01	Energy Management - Demand Response
EEP: A5-38-08	Central Command - switching and dimming
EEP: D2-14-25	Light Sensor and CCT - light intensity

Hardware Specifications

Power Supply	120-277VAC, 60 Hz
Power Consumption	1.0 W max. fully loaded
Inputs	LEARN and CLEAR buttons for sensor assignment
Outputs	LED indicators, Learn (green), Power (red)
Maximum Dimming Load	0-10V with 100 mA sinking current
Inrush Current Rating	500A/2ms @277VAC (I ² t: 460 A ² s @ 277VAC)
Safety Standards Maximum Load: Type and Rating	
Electronic Ballast	11.5A @ 120-277VAC
LED Driver	11.5A @ 120-277VAC

Communications

Radio Frequency	902 MHz
Antenna	Integrated Whip
Transmission Range	24 m (80 ft) - commercial office spaces (typical), up to 100m (330 ft) line of sight

Mechanical Specifications

Operating Temperature	-10°C to 60°C (14°F to 140°F) ambient
Relative Humidity	5% to 93% RH (non-condensing)
Weight	113g (4.0 oz)
Mounting	½" nipple mount model or strap mount model
Dimensions	Nipple- 45.8 x 63.2 x 32.6mm (1.8 x 2.5 x 1.3") Strap- 42.5 x 96.5 x 29.6 mm (1.7 x 3.8 x 1.2")

Regulatory Agencies and Listings

Energy Code Compliance

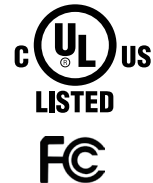
California Energy Commission Title 24 - CEC
Washington State Energy Code - WSEC
ANSI / ASHRAE / IES Standard 90.1
International Energy Conservation Code - IECC
New York City Energy Conservation Code - NYCECC

Safety

Certified to UL Standard 924
Certified to UL Standard 60730
Certified to CAN/CSA Std. E60730
UL 2043 Plenum rated

Radio Frequency (902 MHz)

FCC Part 15.231 -Remote Control Transmitter
IC RSS-210



Specifications are subject to change without notification | Range Confirmation is an Echoflex Solutions, Inc. patented technology | Simple Tap is a trademark of Echoflex Solutions, Inc.