

WALL MOUNT SWIVEL BRACKET

FOR RESONATE SENSORS

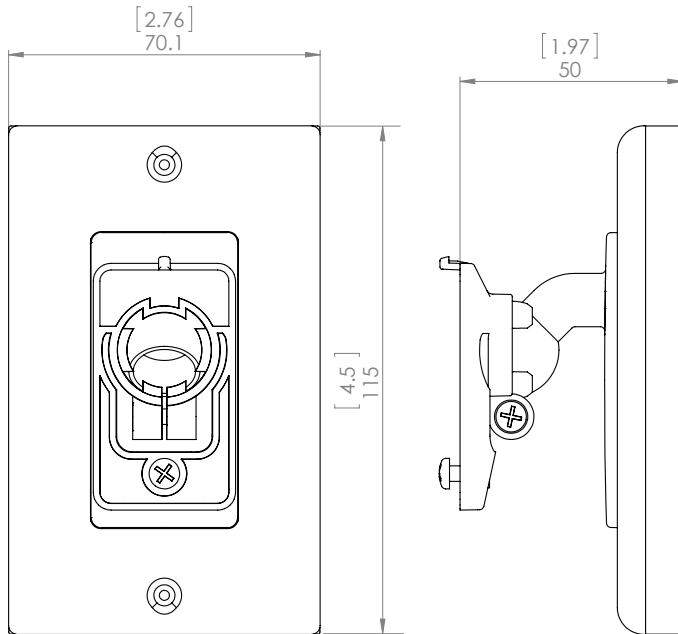
EWM-BR

Overview

The wall mount swivel bracket accommodates the Echoflex Resonate wall mount occupancy sensors (ROS-WA, ROS-HW and ROS-KM).

The EWM-BR is designed for surface mounting and is adjustable 30° vertically and 65° horizontally (when attached to the middle position of the ROS back plate). It attaches to the wall via a mud ring or standard outlet and comes with a cover plate.

The bracket is designed to accommodate corner mount as well as hallway or mid room sensors. A ceiling mount application can also be accommodated.



Mechanical Specifications

Dimensions	115 x 70 x 50mm (4.5 x 2.8 x 1.9")
Mounting	mud ring or standard outlet
Weight- (including cover plate)	78 grams, 2.75 oz.
Installed to ROS back plate	(standard / middle position)
Vertical adjustment	0-30 ° down
Horizontal adjustment	0-67 ° -either left or right mount

Ordering Information

Description	Model	Part #
Wall Mount Swivel Bracket	EWM-BR	8188K1000

Specifications are subject to change without notification.
Document 8DC-0757 | Revision 1.2



Echoflex Solutions, Inc.

#1, 38924 Queens Way | Squamish | BC | Canada | V8B 0K8
Toll Free: 888-324-6359 | Phone: (778) 733-0111 | Fax: (604) 815-0078
Email: info@echoflexsolutions.com | www.echoflexsolutions.com

