

Overview

The ER6CD-AU-120 is a phase adaptive line voltage lighting controller that provides forward or reverse phase dimming based on the connected load type. The dimmer makes upgrading to a hybrid lighting system easy, by offering phase-adaptive, line voltage dimming for tungsten, two-wire fluorescent, line-voltage LED, and 120V electronic low-voltage transformer loads. As a lighting controller, it dims lighting loads with received input from linked sensors or switches based on:

- ambient light levels monitored by a wireless photo sensor
- occupancy state monitored by a wireless occupancy sensor
- switch action from a wireless wall switch
- gateway control implementing scheduled or demand response events

The controller will fade lights up or down on a switch ON or OFF event. Closed and open loop dimming control is available for daylight harvesting applications. With only occupancy sensors linked to the controller, the sensor will automate the lights both ON and OFF. Alternately, in vacancy sensor mode the controller will assume manual-ON, auto-OFF operation. A photo-inhibit feature will ignore Partial-ON lighting with occupancy when the natural light level monitored by the light sensor is above the day-lighting set point.

The ER6CD offers central command support to integrate with Building Management Systems gateways. The controller is Range Confirmation® compatible, working with all Echoflex sensors equipped with the Range Confirmation® feature to provide visual feedback of a linked sensors signal strength for optimal sensor placement.

Echoflex offers pre-linking and pre-commissioning on all products sold as a system through Echoflex. In addition to this service, Echoflex provides two methods of configuring and verifying controller operation once installed on-site:

1. Use the linked sensors and Simple Tap™ to make quick changes to individual controllers.
2. To access the full menu of configuration parameters, Echoflex's Garibaldi software is a PC based tool that includes hands-free commissioning.



Features

- Single channel 600 Watt dimmer
- Provides forward or reverse phase dimming based on the connected load type.
- 120 VAC input power
- Line voltage dimming of tungsten lamps, 2-wire fluorescent ballasts, line voltage LED drivers and 120V electronic low-voltage transformer lighting loads
- Occupancy based lighting controls with Partial- ON/OFF or manual ON, auto-OFF using wireless occupancy sensors
- Integrated day-light harvesting control with Photo Inhibit feature
- Range Confirmation® allows optimal placement of linked sensors - (Echoflex sensors with Range Confirmation® feature only)
- Central Command support for BMS gateway control
- Pre-linking and Pre-commissioning available when sold as a system through Echoflex
- Easy installation on electrical junction boxes with 1/2 " mounting nipple
- Easy commissioning options available such as Simple Tap™ or our PC based remote commissioning software, Garibaldi
- Doubles as a telegram repeater
- CEC - Title 24 Compliance including demand response, Partial-ON and Partial-Off control

Ordering Information

Description	902 MHz Model	902 MHz PN
600 Watt Dimmer, Phase Adaptive, 120VAC	ER6CD-AU-120	7189A1410

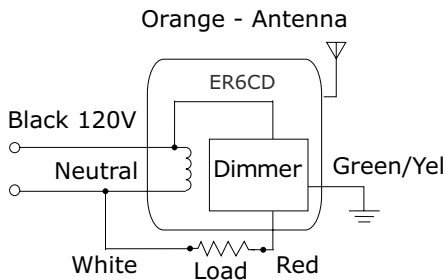
ER6CD-AU-120

Equipment Profiles

EEP: F6-02-02	Light and Blinds Control - US/Canada application
EEP: A5-06-02	Light Sensor [range 0 - 1024 lux (0 - 102 fc)]
EEP: A5-07-01	Occupancy Sensor
EEP:A5-37-01	Energy Management - Demand Response
EEP A5-38-08	Central command, switching, dimming and set point

Wiring Diagram

ER6CD-AU-120

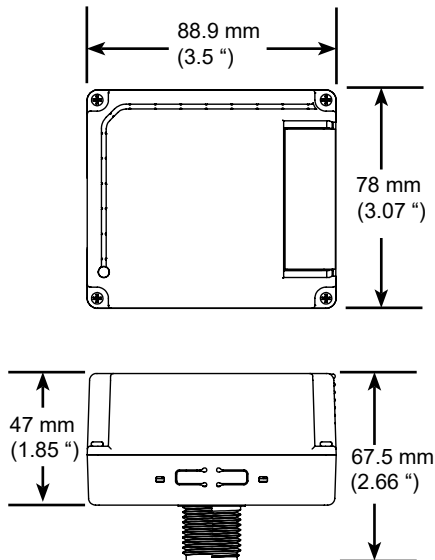


Do not share the neutral wire between the ER6CD and other loads.
Use a dedicated neutral wire.

Hardware Specifications

Power Supply	120 VAC @ 50/60 Hz
Power Consumption	4.0 W Idle
LEDs	Two bi-color green/red LED's: Status & CLR/LRN
Inputs	LEARN and CLEAR buttons for sensor assignment
Output Load Types:	Max. 600W load. Tungsten; 2-wire Fluorescent; Line voltage LED Electronic low voltage transformer NOTE: For LED loads including ELV, calculate max. wattage based on the LED driver max. rated output power. (all drivers, lights or fixtures that are dimmable by line voltage triac, derate the ER6CD wattage by 50% to 300W maximum.) DO NOT use with magnetic or step-down transformer loads.

Dimensional Diagram



Communications

Radio Frequency	902 MHz
Antenna	Whip
Transmission Range	24 m (80 ft) - commercial office spaces(typical), up to 100m (330 ft) line of sight

Mechanical Specifications

Operating Temperature	UL: 0 - 50 °C (32 - 122 °F) CSA: 0 - 40 °C (32 - 104 °F)
Relative Humidity	5% to 95% RH (non-condensing)
Weight	255g (9.0oz)
Dimensions	89 x 78 x 47 mm (3.5 x 3.1 x 1.9")
Mounting	½ " nipple

Listings

CEC Title 24 Compliant

Safety

ETL Recognized Component
Conforms to UL Standard 508
Certified to CAN/CSA Std. C22.2 No.14
UL 2043 Plenum rated

Radio Frequency

FCC Part 15.231 -Remote Control Transmitter
IC RSS-210



Range Confirmation is an Echoflex Solutions, Inc. Patented technology | Simple Tap is a trademark of Echoflex Solutions, Inc.
Specifications are subject to change without notification.