



GENERAL INFORMATION

EchoAccess provides remote control and configuration of ETC Unison Echo lighting-control systems from any iOS or Android mobile device. When connected you are able to set lighting levels, combine spaces, and control zones directly, as well as record, activate and deactivate presets for connected Echo stations and sensors. EchoAccess communicates to other Echo devices allowing for remote configuration of various settings such as preset timing, button functionality and sensor configuration. For added security you can assign varying levels of system access and functionality with multiple system passwords.

APPLICATIONS

- Education
- Hospitality
- Healthcare facilities
- Office buildings
- Conference rooms
- Meeting rooms
- Retail

FEATURES

- Provides communication from the EchoAccess mobile app to devices on the EchoConnect® system bus via Bluetooth® Smart
- Mobile app available for Android and iOS
- Preset, zone and color control for Echo products
- Advanced feature configuration of Echo products
- EchoConnect: two-wire topology-free system gives you the freedom to easily place stations wherever they are needed

GENERAL

- UL and cUL Listed
- CE Marked

ORDERING INFORMATION

Product

MODEL	DESCRIPTION
EACC-__	EchoAccess Interface

Enter station color code in __ space provided:

1 = Cream (RAL 9001), 3 = Gray (RAL 7001), 4 = Black (RAL 9004),
5 = Signal White (RAL 9003)

Stations flush-mount (F) in industry-standard gang boxes. (By others)

EchoAccess Mobile App

MODEL	DESCRIPTION
EACC-A	EchoAccess Mobile App (Android)
EACC-I	EchoAccess Mobile App (iOS)

Echo Power Requirements

EchoConnect:	One unit of output power*
Auxiliary Power:	50mA

*The first EchoAccess Interface in a system does not effect station power counts



SPECIFICATIONS**FUNCTIONAL**

- Remote control of preset activation/deactivation, record, raise, lower, zone on/off control and room combine
- Control of Zone Intensity, Color, Tint and Color Temp
- Configuration of all Echo Control and Output Products
- Configurable security levels for both connection and configuration

MECHANICAL

- Gangable for custom applications
- Enclosed electronics assembly and faceplate included
- No visible means of attachment
- Flush-mount in industry standard backbox, RACO 690 or equivalent
- Surface-mount backboxes available from manufacture upon request
- Constructed of injection-molded, ABS plastic in three RAL standard colors Cream (RAL 9001), Black (RAL 9004), and White (RAL 9003)
- Power and Bluetooth activity indicators
 - Blue power status indicator
 - Amber Bluetooth activity indicator

ELECTRICAL

- Connects via EchoConnect control network through low-voltage Class 2 wiring + 24Vdc auxiliary power
 - Topology-free wiring over Belden 8471 or equivalent and one #14 ESD drain wire
 - Two #16 AWG wires for 24VDC auxiliary power
- Supports optional use of Belden 1583A or equivalent Ethernet control wire when used with Cat5 termination accessories
- Wiring may be bus, loop, homerun or any combination of these
- Supports up to 500 meters (1640 feet) of control wiring
 - Up to 1000 feet using Cat5
- MicroSD card slot for firmware maintenance
- UL and cUL Listed, CE Marked

THERMAL

- Ambient room temperature: 0-40°C / 32-104°F
- Ambient humidity: 5-95% non-condensing

ECHO FAMILY OF PRODUCTS

EchoConnect Power Supplies

MODEL	DESCRIPTION
E-SPS	6U Room Station Power Supply, Knockout Mount
E-SPS-DIN	16U DIN rail Station Power Supply with 24V Aux
E-SPM	16U DRd Station Power Module
E-SPM-A	16U DRd Station Power Module with 24V Aux
E-SPM-RM	16U Rack-Mount Station Power Module Aux
E-SPM-RM-A	16U Rack-Mount Station Power Module 24V Aux
E-SPM-WM	16U Wall-Mount Station Power Module
E-SPM-WM-A	16U Wall-Mount Station Power Module 24V Aux
E-APS	24V Aux Power Supply, Knockout Mount

Echo Stations

MODEL	DESCRIPTION
E1001	Inspire One Button Station
E1002	Inspire Two Button Station
E1004	Inspire Four Button Station
E1006	Inspire Six Button Station
E1008	Inspire Eight Button Station
E1104	Inspire Four Button with Fader Station
EPS05	Echo Preset Station - 5 Button
EPS10	Echo Preset Station - 10 Button
EPSLO	Echo Lockout Station
E-ATC	Echo TimeClock

Echo Responsive Controls

MODEL	DESCRIPTION
ELS	Light Sensor
EOCC	Ceiling-Mount PIR Occupancy Sensor
EVAC	Ceiling-Mount PIR Vacancy Sensor
E-DOC-C	Ceiling-Mount Dual Tech Occupancy Sensor
E-DVAC-C	Ceiling-Mount Dual Tech Vacancy Sensor
E-DOC-W	Wall-Mount Dual Tech Occupancy Sensor
E-DVAC-W	Wall-Mount Dual Tech Vacancy Sensor
E-DOC-SM1	Switch-Mount Dual Tech Sensor - One Button
E-DOC-SM2	Switch-Mount Dual Tech Sensor - Two Button

Echo Interfaces

MODEL	DESCRIPTION
EACC	EchoAccess Interface
EEB	Echo Expansion Bridge
EDMXC	Echo DMX Scene Controller
EEL	Echo-Echoflex Interface
ECII	Echo Contact Input Interface
ECOI	Echo Contact Output Interface
EDRI	Echo Demand Response Interface

Zone Controllers

MODEL	DESCRIPTION
ERC-G2	One Zone Relay Controller
EDRC-G2	Two Zone Relay Controller
ELD-G2	One Zone 0-10V Controller
EDLD-G2	Two Zone 0-10V Controller
ESSC-G2	One Zone SmartSpace Controller
EDSSC-G2	Two Zone SmartSpace Controller
ELVD-G2	600-Watt Phase Adaptive Dimmer
ELVD-277-G2	600-Watt Phase Adaptive Dimmer- 277V

Room Controllers

MODEL	DESCRIPTION
ERM4-G2	Four Zone Room Controller
ERMCT4-G2	Four Zone Room Controller with TimeClock
ERM8-G2	Eight Zone Room Controller
ERMCT8-G2	Eight Zone Room Controller with TimeClock

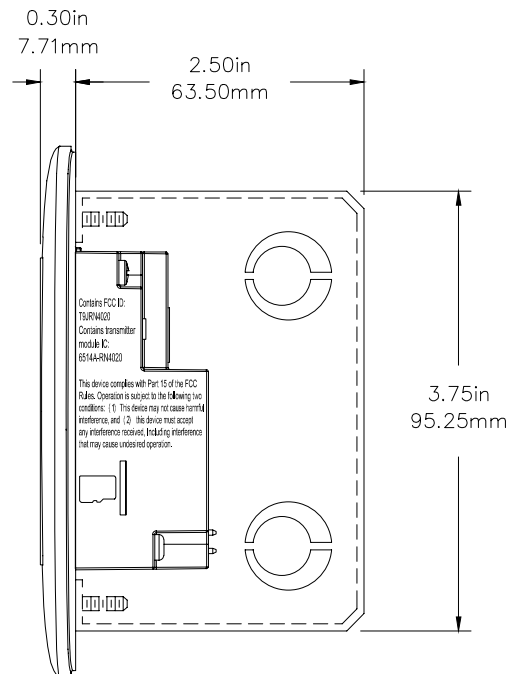
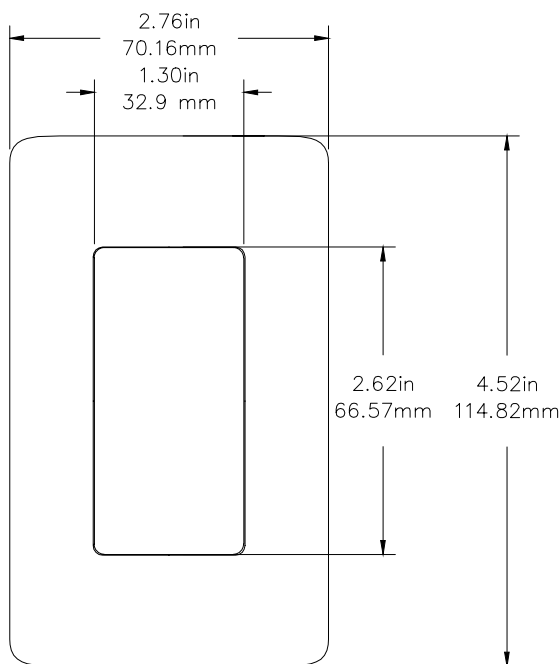
Panel Products

MODEL	DESCRIPTION
ERP	Echo Relay Panel Mains Feed
ERP-FT	Echo Relay Panel Feed Through
SensorIQ	Sensor IQ Intelligent Breaker System
SR3	Sensor3 Power Control System
DRd	Unison DRd with Echo Control

PHYSICAL

Product Dimensions

MODEL	HEIGHT		WIDTH		DEPTH	
	in	mm	in	mm	in	mm
EACC	4.52	115	2.76	71	0.30	8



Corporate Headquarters • 3031 Pleasant View Rd, PO Box 620979, Middleton WI 53562 0979 USA • +1 608 831 4116

London, UK • Unit 26-28, Victoria Industrial Estate, Victoria Road, London W3 6UU, UK • +44 (0) 20 8896 1000

Rome, IT • Via Bruno Pontecorvo 10, 00012 Guidonia Montecelio, Roma, Italy • +39 06 32 111 683

Holzkirchen, DE • Ohmstrasse 3, 83607 Holzkirchen, Germany • +49 (80 24) 47 00-0

Hong Kong • Room 1801, 18/F, Tower 1 Phase 1, Enterprise Square, 9 Sheung Yuet Road, Kowloon Bay, Kowloon, Hong Kong • +852 2799 1220

Web • etconnect.com • Copyright©2018 ETC. All Rights Reserved. All product information and specifications subject to change. 7186L1015 Rev D 04/18