

Transceiver Modules TCM200C and TCM220C

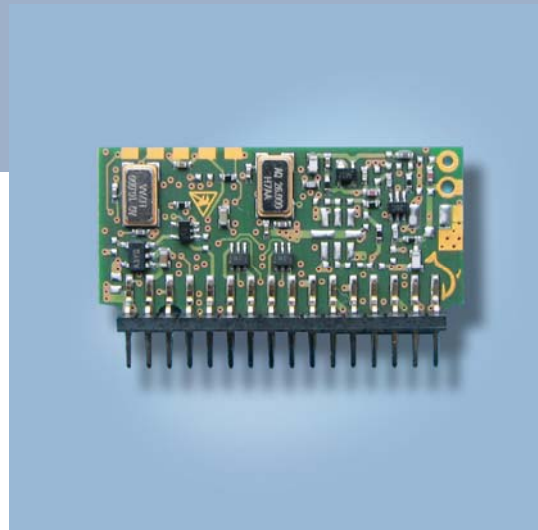
The transceiver modules TCM 200C and TCM 220C of EnOcean enable the realization of highly efficient RF repeaters and transceivers for the EnOcean 315 MHz radio system.

The module receives all signals of the EnOcean radio transmitters and makes them available at the serial port. In addition a repeater functionality can be activated. Using the API200 library it is possible to write custom software for the module.

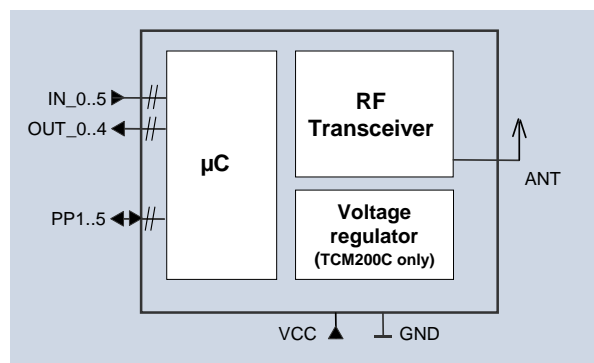
There are two product variants:

- TCM200C with 5V supply, and open drain outputs
- TCM220C with 3V supply, and digital outputs.

API200 is part of the development kit EDK100C.



Type	Ordering Code
TCM200C	S3033-K200
TCM220C	S3033-K220
EDK100C	S3034-X100



Features overview

Antenna	pre-installed 15 cm whip antenna, external 50Ω antenna mountable
Frequency	315.0 MHz
Data rate / Modulation type	125 kbps / ASK
Receiver Sensitivity	typ. -95dBm
Conducted Output Power	typ. 5dBm
Power Supply	TCM200C: 5V ±5%, TCM220C 3V ±5%
Current Consumption	Receive mode: typ. 29mA, max. 34mA (RX) Transmit mode: max. 40mA (TX)
Dimensions of PCB	36.5 x 18 mm (without connector pins)
Operating temperature	- 25 up to + 65 °C