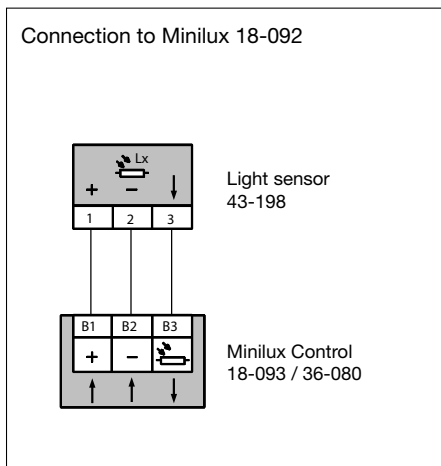
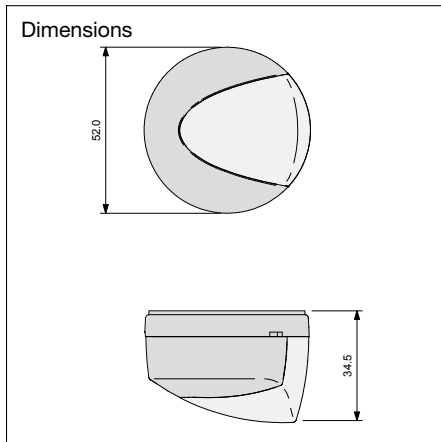


Light sensor

Product data



Technical data CE

Supply voltage	24 V DC \pm 10%
Output voltage	0-10 V
Lux ranges:	3...300 lux, 30...3K lux 300...30K lux, 600...60K lux
Connection	Screw terminals
Protection class	IP 54
Ambient temperature	-40°C...+50°C
Distance from Control	Max. 100 m
Cable: Class I Control	3 x 1,5 mm ²
Cable: Class II Control	0,6 mm

Minilux light sensor for outdoor mounting

- 43-198 for connection to Minilux Control 18-093 and Minilux Control 36-080
- Screw terminal connection
- Protection class IP 54

Minilux light sensor 43-198 is for outdoor lighting control.

The light sensor has screw terminal connection, so there is no need for extra junction boxes.

The light sensor has a IP54 protection class, so it can be mounted outdoor.

Please note!

The light sensor must be connected to a class I Minilux Control, and therefore wiring to sensor must be set up as for power current.

Placement:

By placement on a wall you must make allowance for the shadow effects on the sensor. (see fig. 1)

The sensor must be placed notherly, because north is lightneutral in proportion to the suns daily cycle east-south-west.

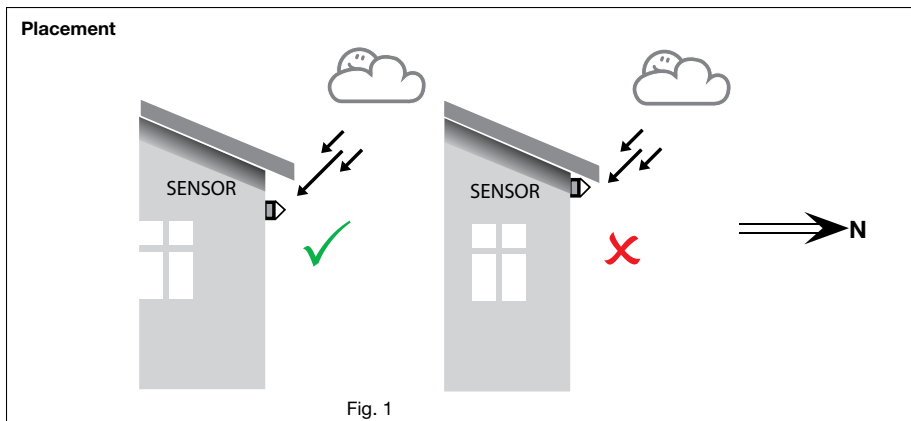
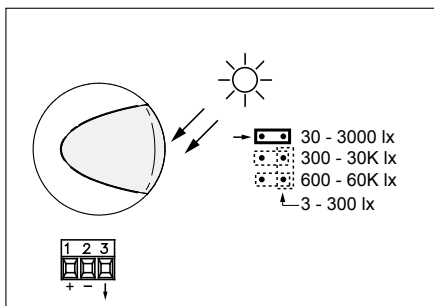
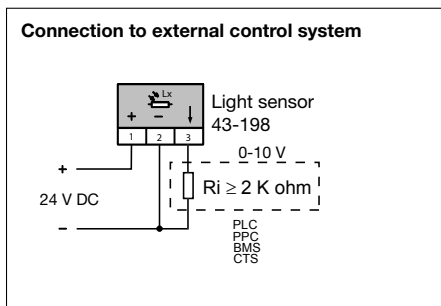


Fig. 1

Order numbers:

Product	Type	EAN no.
Minilux light sensor	43-198	5703102 203595
Complete with Day/night switch with watch (18-093 + 43-198)	18-193	5703102 203489

Accessories:

Product	Type	EAN no.
Minilux Control	18-093	5703102 203267
Minilux Control	36-080	5703102 203298
Minilux light sensor	43-197	5703102 203311