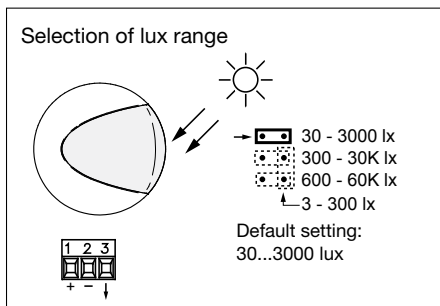
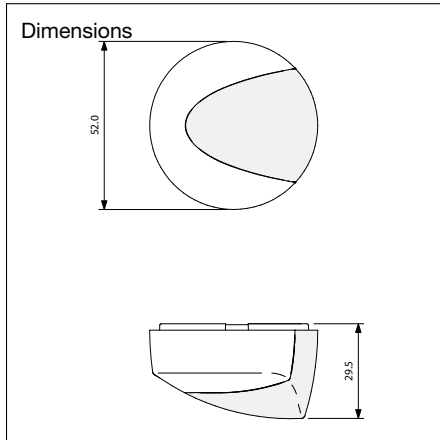
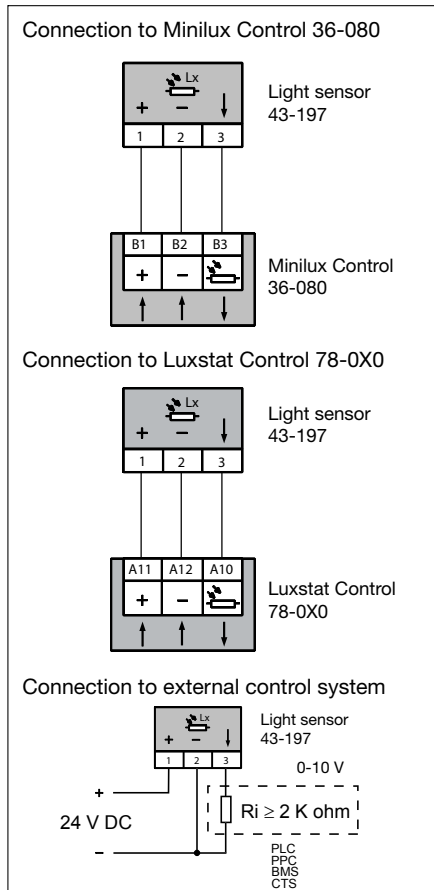
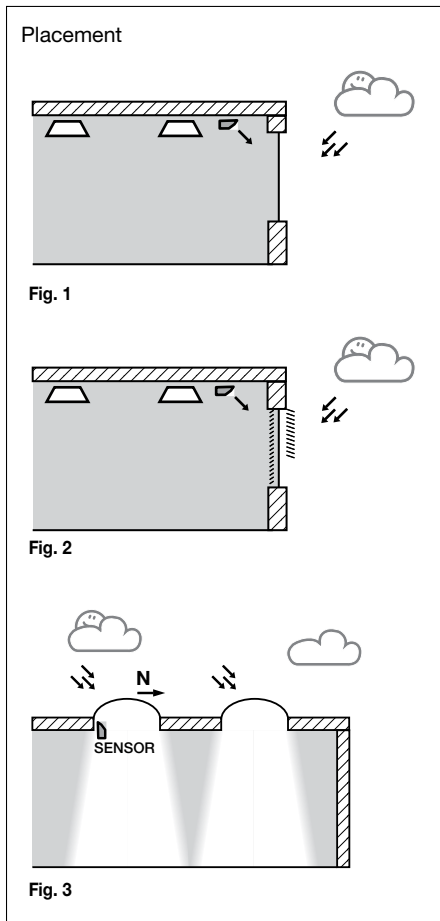


Light sensor



Technical data

Lux ranges:	3...300 lux, 30...3K lux, 300...30K lux, 600...60K lux
Supply voltage	24 V DC ± 10%
Output voltage	0-10 V
Connection	Screw terminals
Protection class	IP 20
Ambient temperature	-40°C...+50°C
Distance to Control	Max. 100 m
Cable - Class II control	0,6 mm



Product data

Minilux light sensor 0-10 V for indoor mounting

- For connection to:
 - Minilux Control 36-080
 - Luxstat Control 78-0XX
- Screw terminals
- Protection class IP 20
- 4 lux ranges:
 - 3...300 lux
 - 30...3.000 lux
 - 300...30.000 lux
 - 600...60.000 lux

The Minilux Sensor 43-197 is a light sensor which covers a number of lux ranges and is intended to control indoor lighting.

The Minilux Sensor 43-197 has screw terminal connection, so there is no need for extra junction box.

If the location requires a higher protection class than IP20, use type 43-198 which has a IP54 protection class or mount the IP54 kit 43-996.

Placement:

Fig. 1: When daylight enters the room from the side, the light sensor must be placed so that it "sees" the incoming daylight.

Fig. 2:

The light sensor must be placed behind any curtains or sunblinds fitted behind the window.

Fig. 3:

The light sensor should be placed so that it "looks" directly up at the sky. To avoid direct sunlight, place the light sensor as shown.

Order numbers:

Product	Type	EAN no.
Minilux light sensor	43-197	5703102 203311

Accessories:

Product	Type	EAN no.
Minilux Control	36-080	5703102 203298
Luxstat Control on/off	78-000	5703102 201348
Luxstat Control Dim	78-050	5703102 201355
Minilux Light sensor	43-198	5703102 203595
IP54 Kit for 43-197	43-996	5703102 201058