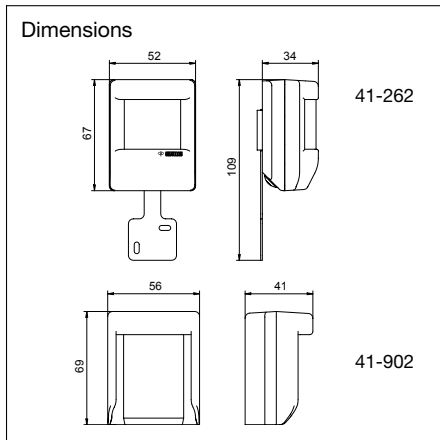


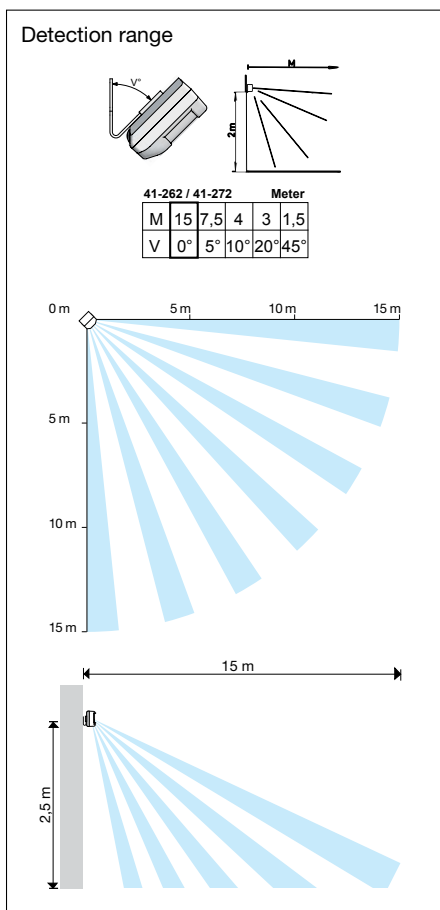
## Movement sensor

## Product data



### Minilux PIR movement sensor for outdoor lighting control

- 24 V DC
- With built-in light sensor
- Sensitivity setting
- Up to eight sensors on one Control
- Built-in walk-test function
- 90° detection range
- Detection length up to 15 meter



### Technical data



Supply voltage	24 V DC ±10%
Output signal	On/Off, NPN
Output voltage	0-10 V
Lux range	3...300 lux
Detection range	90°
Range	0,5...15 m
Max. current load	50 mA (24 V DC)
Power consump. - worst case	<5 mA (24 V DC)
Power consump. - standby	<3 mA (24 V DC)
Protection class	IP20
Protection class with cover 41-902	IP54
Ambient temperatur	-20°C...+50°C
Cable entry	2 x Ø 5 mm
Cable lenght	Max 200 m
	2 x 2 x 0,6 mm

Minilux PIR 41-262 is a passive infrared sensor which react to temperature changes and movements by people (and cars).

The Minilux sensor 41-262 is used in combination with Minilux Control 36-080 for outdoor lighting control.

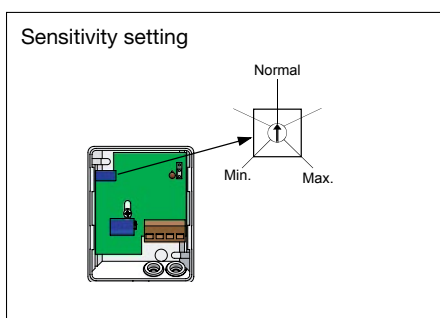
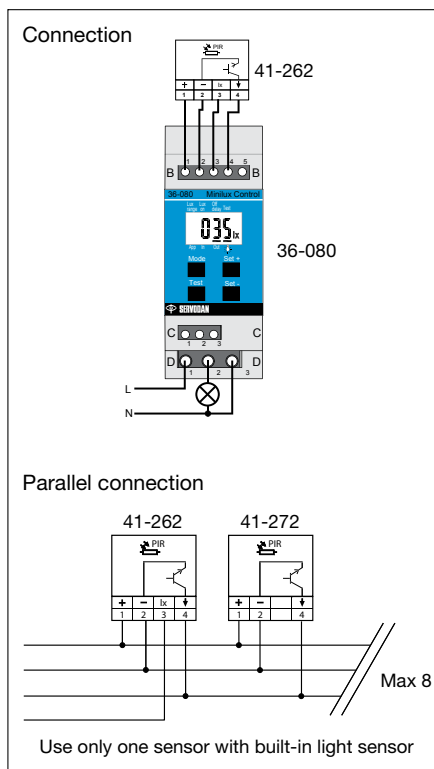
After connection to the power supply, PIR sensors are ready for operation after 1-2 min. (power-up time).

The built-in light sensor blocks off lighting in the daylight hours if there is sufficient daylight. The lux level is set on the Minilux Control.

The sensors are supplied with brackets for ceiling and wall installation.

If you wish to connect more than one movement sensor, please use type 41-272 which is the same sensor just without the built-in light sensor.

For outdoor installation the cover 41-902 must be used.



### Order numbers:

Product	Type	EAN no.
Minilux sensor	41-262	5703102 203229

### Accessories:

Product	Type	EAN no.
Minilux Control	36-080	5703102 203298
Minilux sensor	41-272	5703102 203564
IP54 Cover	41-902	5703102 203458