

Multi-Relay Output Controller

ERRDO



energy conservation - home and office

Overview

Interfacing between disparate systems via input/output modules is a common method of achieving integration and interoperability. Whether monitoring a door contact, occupancy sensor, or even a fire alarm; all these systems have outputs that can be used to trigger events in other systems.

Using EnOcean wireless technology to couple sensors and switches to these systems can interface with the room's environment eliminates much of the wiring normally required for this level of distributed control. This translates into quick installations with less disruption to occupants allowing facilities to accelerate retrofit schedules and start saving money sooner.

All Echoflex's wall switches and sensors are developed entirely on EnOcean technology making them battery-free. By harvesting energy from the surrounding environment for power, these battery-free devices eliminate the maintenance burden of replacing and disposing of batteries.



Features

- ⇒ 1, 2 and 4 Relay models interfacing directly with remote equipment
- ⇒ low voltage relay control
- ⇒ interface and integrate with networked or stand-alone systems
- ⇒ Easy installation with 3/4" knockout nipple
- ⇒ can be linked with up to 30 battery-free sensors and switches
- ⇒ Modulating 0 - 10V output
- ⇒ Opto-Isolated relay outputs provide protection against transient voltage spikes

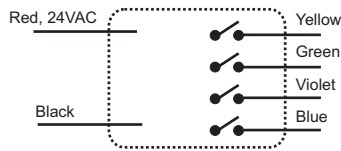
Ordering Information

Model Number	Description	Part Number
ERRDO-1DC	1 relay, 868MHz	001-6153
ERRDO-1DCC	1 relay, 315MHz	001-1153
ERRDO-2DC	2 relay, 868MHz	001-6165
ERRDO-2DCC	2 relay, 315MHz	001-1165
ERRDO-4DC	4 relay, 868 MHz	001-6177
ERRDO-4DCC	4 relay, 315MHz	001-1177

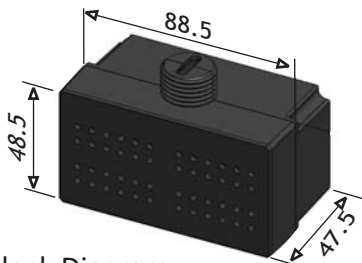


ERRDO

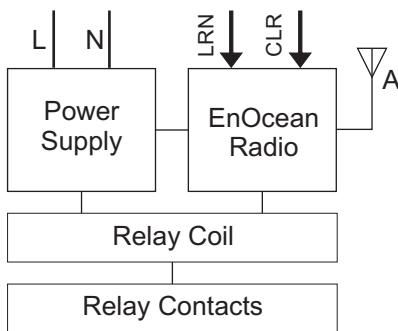
Wiring Diagram



Dimensional Drawing



Block Diagram



Hardware Specifications

Power Supply	24 VAC, 60Hz
Power Consumption	4.0 W full load
Outputs	[1 - 4] N.O. 24V @ 1A Relays
Inputs	LEARN and CLEAR buttons for sensor assignment
Communications	315 MHz [TCM200] or 868 MHz [RCM120] EnOcean radio

Mechanical Specifications

Operating Temperature	14 F to 113 F (-10 C to 45 C)
Relative Humidity	5% to 95% RH (non-condensing)
Weight	13.5 oz. (385 gms.)
Dimensions	3.5" x 1.9" x 1.9" (88 mm x 48 mm x 48 mm)
Mounting	½" nipple
Antenna	Integrated whip

Agency Listing and Compliance

Safety	UL 2043 Plenum rated
Radio Frequency	FCC Part 15.231 - Remote Control Transmitter IC RSS-210



Echoflex Solutions, Inc.

1, 38924 Queens Way | Squamish | British Columbia | Canada | V8B 0K8

Toll Free:(888) ECH-OFLX (324-6359) | Phone:(604) 815-0091 | Fax: (604) 815-0078

Email: sales@echoflexsolutions.com | www.echoflexsolutions.com

Specifications subject to change without notice.

Echoflex™ is a trademark of Echoflex Solutions, Inc.

All other trademarks belong to their respective owners

Part # 8DC-0238 | Revision 1.0



enocean® alliance

No Wires. No Batteries. No Limits.