

# Wireless Fixture Controller with SmartClick™ technology

ER1C-BFC



energy conservation - home and office

## Overview

Today's facility operator needs a simple and effective solution for automating individual lights to conserve energy.

The Echoflex Fixture Controller provides distributed control of any standard lighting fixture by using wireless technology. Used with Echoflex wireless sensors and decorator style rocker switches, the fixture controller provides a simple method of retrofitting an existing light fixture or adding new lights to any space. Use the fixture controller for occupancy based lighting or use the manual ON / auto-OFF feature and start saving energy by shutting off un-needed lights.

The fixture controller includes Echoflex's intelligent configuration software SmartClick™\* allowing installers and facility operators access to the controller's configuration parameters making it easy to set-up and make changes in the future. Using just a wireless wall switch, the facility maintenance engineer can adjust setting on the installed controllers eliminating a service call to an electrician.

All Echoflex's wall switches and sensors are developed entirely on EnOcean technology making them battery-free. By harvesting energy from the surrounding environment for power, these battery-free devices eliminate the maintenance burden of replacing and disposing of batteries.



## Features

- ⇒ Embedded SmartClick configuration for fast and easy commissioning
- ⇒ Occupancy based lighting controls with Auto-ON/OFF or manual ON, auto-OFF
- ⇒ Peel and Stick switch and sensor installation provides exceptional space flexibility options
- ⇒ Listens for Echoflex's battery-free wall switches, photo sensors and occupancy sensors
- ⇒ Near-cross switching technology for long relay life
- ⇒ Easy installation on electrical junction boxes with ½" mounting nipple
- ⇒ Broadcasts controller status to BMS gateways

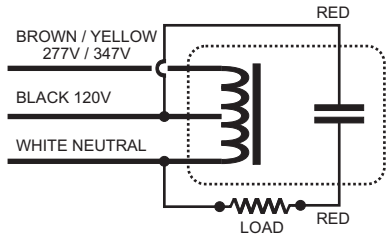
## Ordering Information

Model Number	Description	Part Number
ER1C-BFC-120-347	120/347VAC, 315MHz	001-0214
ER1C-BFC-120/277	120/277VAC, 315MHz	001-0226

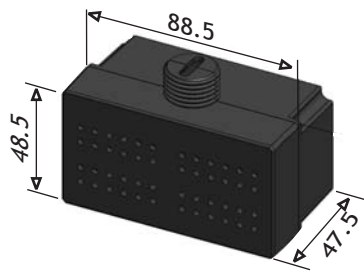


# ER1C-BFC

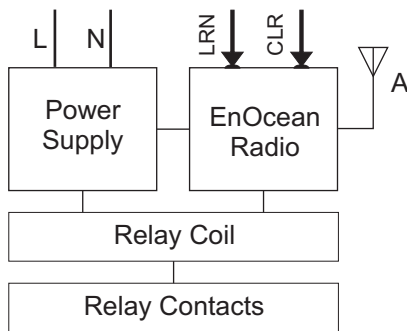
## Wiring Diagram



## Dimensional Drawing



## Block Diagram



## EnOcean Equipment Profiles

EEP: 05-02-02	Light and Blinds Control - US/Canada application
EEP: 07-06-02	Light Sensor [range 0 - 1024 lux]
EEP: 07-07-01	Occupancy Sensor

## Hardware Specifications

Power Supply	120/277 VAC or 120/347 VAC, 60Hz
Power Consumption	4.0 W full load
Outputs	N.O. Relay rating 15A@347 VAC or 20A@120 or 227 VAC
Inputs	LEARN and CLEAR buttons for sensor assignment
Communications	315 MHz EnOcean radio with whip antenna

## Mechanical Specifications

Operating Temperature	14 F to 113 F (-10 C to 45 C)
Relative Humidity	5% to 95% RH (non-condensing)
Weight	13.5 oz. (385 gms.)
Dimensions	3.5" x 1.9" x 1.9" (88 mm x 48 mm x 48 mm)
Mounting	½" nipple

## Agency Listing and Compliance

Safety	ETL Recognized Component 3188207 Conforms to UL Standard 508 Certified to CAN/CSA Std. C22.2 No.14 UL 2043 Plenum rated
Radio Frequency	FCC Part 15.231 - Remote Control Transmitter IC RSS-210



## Echoflex Solutions, Inc.

# 1, 38924 Queens Way | Squamish | British Columbia | Canada | V8B 0K8  
 Toll Free:(888) ECH-OFLX (324-6359) | Phone:(604) 815-0091 | Fax: (604) 815-0078  
 Email: [sales@echoflexsolutions.com](mailto:sales@echoflexsolutions.com) | [www.echoflexsolutions.com](http://www.echoflexsolutions.com)

Specifications subject to change without notice.  
 Echoflex™ is a trademark of Echoflex Solutions, Inc.  
 All other trademarks belong to their respective owners  
 Part # 8DC-0098 | Revision 1.3

