

# Wireless Temperature Controller

ER1C-BBC



energy conservation - home and office

## Overview

The Echoflex Temperature Controller provides relay control for electrical base board heaters or other electrical based heating systems. Using wireless technology to interface with the rooms environment eliminates much of the wiring normally needed for this level of control. The temperature controller is a great fit in retrofit applications where little to no control of the temperature may exist. Wireless sensors means a quick installation translating into less disruption for occupants allowing facilities to start saving money sooner.

The temperature controller can listen to several temperature sensors providing a temperature averaging function and control of the space based on set-point settings. Auto-setback mode is supported when used with a occupancy sensor or a window/door switch. When used in this mode, the controller will allow a greater deviation from set-point when the space is unoccupied or a window or door has been left open.

All Echoflex's wall switches and sensors use energy harvesting for power. These battery-free devices eliminate the maintenance burden of replacing and disposing of batteries.



## Features

- ⇒ Wireless Electric Base Board Control, no extra wires
- ⇒ Easy installation with ½" knockout nipple
- ⇒ Temperature averaging for multiple sensor zones
- ⇒ Controlled with 1 to 30 battery-free Echoflex wireless sensors
- ⇒ Reliable radio reception range of 100 ft. in typical applications
- ⇒ Occupancy Setback function - start saving money right away
- ⇒ Models available in 120/277V or 120/347V
- ⇒ Near-Cross switching technology for long relay life

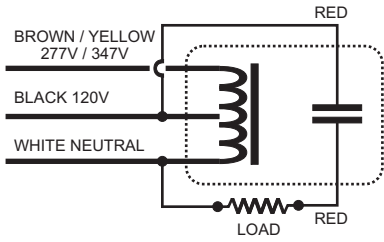
## Ordering Information

Model Number	Description	Part Number
ER1C-BBC-120-347	120/347VAC, 315MHz	001-0202
ER1C-BBC-120/277	120/277VAC, 315MHz	001-0199

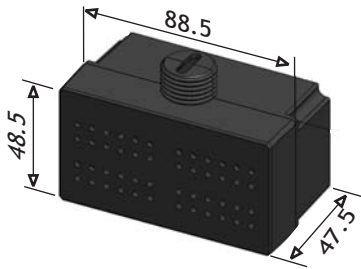


# ER1C-BBC

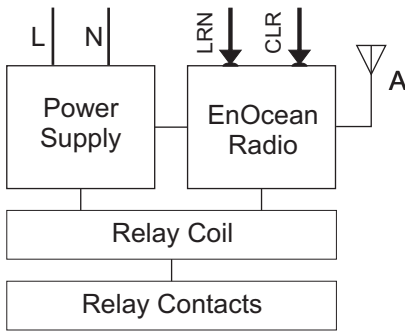
## Wiring Diagram



## Dimensional Drawing



## Block Diagram



## EnOcean Equipment Profiles - remote devices supported

EEP: 07-02-05	Temperature 0°C - 40°C
EEP: 07-10-03	Room Operating Panel, temperature and set point
EEP: 07-10-0A	Room Operating Panel, temp., set point + door contact
EEP: 07-10-0B	Room Operating Panel, temperature and door contact
EEP: 07-07-01	Occupancy Sensor

## Hardware Specifications

Power Supply	120/277 VAC or 120/347 VAC, 60Hz
Power Consumption	4.0 W full load
Outputs	N.O. Relay rating 15A@347 VAC or 20A@120 or 227 VAC
Inputs	LEARN and CLEAR buttons for sensor assignment
Communications	315 MHz EnOcean radio with whip antenna

## Mechanical Specifications

Operating Temperature	14°F to 113°F (-10°C to 45°C)
Relative Humidity	5% to 95% RH (non-condensing)
Weight	13.5 oz. (385 gms.)
Dimensions	3.5" x 1.9" x 1.9" (88 mm x 48 mm x 48 mm)
Mounting	½" nipple

## Agency Listing and Compliance

Safety	ETL Recognized Component 3188207
	Conforms to UL Standard 508
Radio Frequency	Certified to CAN/CSA Std. C22.2 No.14
	UL 2043 Plenum rated
	FCC Part 15.231 - Remote Control Transmitter
	IC RSS-210



## Echoflex Solutions, Inc.

# 1, 38924 Queens Way | Squamish | British Columbia | Canada | V8B 0K8  
 Toll Free:(888) ECH-OFLX (324-6359) | Phone:(604) 815-0091 | Fax: (604) 815-0078  
 Email: [sales@echoflexsolutions.com](mailto:sales@echoflexsolutions.com) | [www.echoflexsolutions.com](http://www.echoflexsolutions.com)

Specifications subject to change without notice.  
 Echoflex™ is a trademark of Echoflex Solutions, Inc.  
 All other trademarks belong to their respective owners  
 Part # 8DC-0048 | Revision 1.3

