

# SmartSpace Occupancy Controller with SmartClick™

ERDRC-O



energy conservation - home and office

## Overview

Today's building owners are seeking solutions to drive-down their facilities energy footprint without enduring the expense and disruption of installing a networked automation system.

Echoflex answers this need with the Smart Space Occupancy Controller that operates on a simple principle; if the space is vacant, turn the lights off.

Ideal for spaces with little or no outdoor lighting, Echoflex's occupancy controller uses wireless technology to interface with the room's environment eliminating much of the wiring normally required for this level of distributed control. This translates into quick installations with less disruption to occupants allowing facilities to accelerate retrofit schedules and start saving money sooner.

Echoflex's occupancy controller supports auto ON/auto OFF, manual ON/auto OFF, and timed switch control sequences.

The Smart Space Controllers have Echoflex's SmartClick technology which allows installers and facility operators to manage configuration settings without any tools reducing call-backs and installation expense.

All Echoflex's wall switches and sensors are developed entirely on EnOcean technology, harvesting energy from the surrounding environment for power. These devices eliminate the maintenance burden of replacing and disposing of batteries common with other wireless technologies.

Start taking control of your facilities energy by addressing wastage through unnecessary lighting. With Echoflex Smart Space Controllers and battery-free wireless sensors, you can start saving energy today.



## Features

- ⇒ Lighting circuit control relay output
- ⇒ Embedded SmartClick configuration for fast and easy commissioning
- ⇒ Occupancy based lighting controls with Auto-ON/OFF or manual ON, auto-OFF
- ⇒ Listens for Echoflex's battery-free wall switches, light-level and occupancy sensors
- ⇒ Integrated wired or wireless, powered or self powered occupancy sensor monitoring
- ⇒ Near-cross switching technology for long relay life
- ⇒ Easy installation on electrical junction boxes with 1/2" mounting nipple
- ⇒ Broadcasts occupancy detection to other Echoflex controllers and status to BMS gateways
- ⇒ Doubles as a telegram repeater
- ⇒ Supports remote management functionality

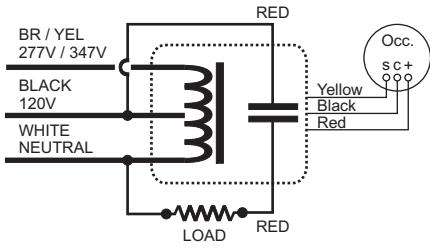
## Ordering Information

Model Number	Description	Part Number
ERDRC-O-120/347	120/347VAC, 868MHz	001-5062
ERDRC-OC-120-347	120/347VAC, 315MHz	001-0062
ERDRC-O-120/277	120/277VAC, 868MHz	001-5050
ERDRC-OC-120/277	120/277VAC, 315MHz	001-0050

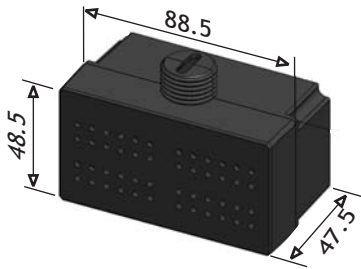


# ERDRC-O

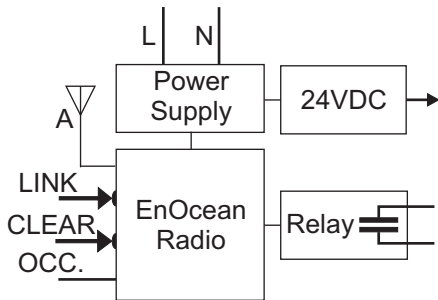
## Wiring Diagram



## Dimensional Drawing



## Block Diagram



## EnOcean Equipment Profiles - remote devices supported

EEP: 05-02-02	Light and Blinds Control - US/Canada application
EEP: 07-06-02	Light Sensor [range 0 - 1024 lux]
EEP: 07-07-01	Occupancy Sensor

## Hardware Specifications

Power Supply	120/277 VAC or 120/347 VAC, 60Hz
Power Consumption	6.5 W max. full load
Power Output	24 VDC @ 125mA
Input	Optically Isolated 24VAC/DC input
Output	N.O. Relay rating 15A@347 VAC or 20A@120 or 227 VAC
Inputs	LEARN and CLEAR buttons for sensor assignment
Communications	315 MHz or 868 MHz EnOcean radio with whip antenna

## Mechanical Specifications

Operating Temperature	14 F to 113 F (-10 C to 45 C)
Relative Humidity	5% to 95% RH (non-condensing)
Weight	13.5 oz. (385 gms.)
Dimensions	3.5" x 1.9" x 1.9" (88 mm x 48 mm x 48 mm)
Mounting	½" nipple

## Agency Listing and Compliance

Safety	ETL Recognized Component 3188207 Conforms to UL Standard 508 Certified to CAN/CSA Std. C22.2 No.14
Radio Frequency	UL 2043 Plenum rated FCC Part 15.231 - Remote Control Transmitter IC RSS-210



## Echoflex Solutions, Inc.

# 1, 38924 Queens Way | Squamish | British Columbia | Canada | V8B 0K8  
 Toll Free:(888) ECH-OFLX (324-6359) | Phone:(604) 815-0091 | Fax: (604) 815-0078  
 Email: [sales@echoflexsolutions.com](mailto:sales@echoflexsolutions.com) | [www.echoflexsolutions.com](http://www.echoflexsolutions.com)

Specifications subject to change without notice.  
 Echoflex™ is a trademark of Echoflex Solutions, Inc.  
 All other trademarks belong to their respective owners  
 Part # 8DC-0024 | Revision 2.3

