

Wireless Complete Room Controller with Smart Click™

ERDRC-DCC



energy conservation - home and office

Overview

Today's building owners are seeking solutions to drive-down their facilities energy footprint without enduring the expense and disruption of installing a networked automation system.

Echoflex answers this need with the Complete Room Controller that operates on two simple principles;

- if the space is vacant, turn the lights off
- if there is sufficient outdoor ambient light, turn the lights down

Echoflex's lighting controllers use wireless technology to monitor the room's environment eliminating much of the wiring normally required for this level of distributed control. This translates into quick installations with less disruption to occupants allowing facilities to accelerate retrofit schedules and start saving money sooner.

The lighting controllers have Echoflex's Smart Click technology which allows installers and facility operators to manage configuration settings without any tools reducing call-backs and installation expense.

All Echoflex's wall switches and sensors are developed entirely on EnOcean technology making them battery-free. By harvesting energy from the surrounding environment for power, these battery-free devices eliminate the maintenance burden of replacing and disposing of batteries.

Start taking control of your facilities energy by addressing wastage through unnecessary lighting. With Echoflex lighting controllers and battery-free wireless sensors, the decision to dim or shut lights off becomes dependant upon positive control and not on user intervention.



Features

- ⇒ Lighting circuit control with dimming ballast control output
- ⇒ Embedded Smart Click configuration for fast and easy commissioning
- ⇒ Occupancy based lighting controls with Auto-ON/OFF or manual ON, auto-OFF
- ⇒ Integrated day-light harvesting control
- ⇒ Listens for Echoflex's battery-free wall switches, photo sensors and occupancy sensors
- ⇒ Near-cross switching technology for long relay life
- ⇒ Easy installation on electrical junction boxes with 3/4" mounting nipple
- ⇒ Broadcasts controller status to BMS gateways
- ⇒ Doubles as a telegram repeater

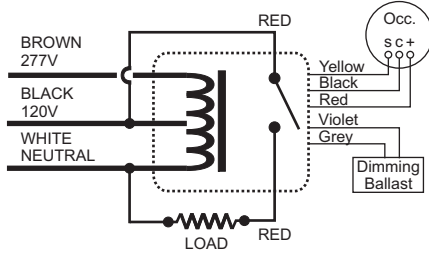
Ordering Information

Model Number	Description	Part Number
ERDRC-DCC-120/347	120/347VAC, 315MHz	001-1014
ERDRC-DCC-120/277	120/277VAC, 315MHz	001-1002

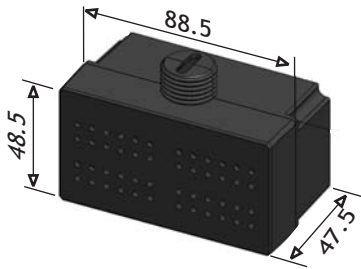


ERDRC-DCC

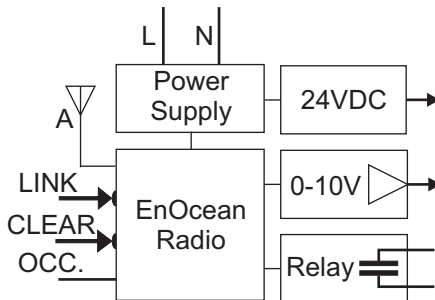
Wiring Diagram



Dimensional Drawing



Block Diagram



EnOcean Equipment Profiles - remote devices supported

EEP: 05-02-02	Light and Blinds Control - US/Canada application
EEP: 07-06-02	Light Sensor [range 0 - 1024 lux]
EEP: 07-07-01	Occupancy Sensor

Hardware Specifications

Power Supply	120/277 VAC, 60Hz
Power Consumption	4.25 W max. full load
Power Output	24 VDC @ 35 mA
Input	Optically Isolated 24VDC input
Outputs	N.O. Relay rating 20A@120 or 277 VAC 0-10 VDC @ 25mA maximum, sinking current only
Inputs	LEARN and CLEAR buttons for sensor assignment
Communications	315 MHz EnOcean radio with whip antenna

Mechanical Specifications

Operating Temperature	14° F to 113° F (-10° C to 45° C)
Relative Humidity	5% to 95% RH (non-condensing)
Weight	13.5 oz. (385 gms.)
Dimensions	3.5" x 1.9" x 1.9" (88 mm x 48 mm x 48 mm)
Mounting	3/4" nipple

Agency Listing and Compliance

Safety	ETL Recognized Component 3188207 Conforms to UL Standard 508 Certified to CAN/CSA Std. C22.2 No.14 UL 2043 Plenum rated
Radio Frequency	FCC Part 15.231 - Remote Control Transmitter IC RSS-210



Echoflex Solutions, Inc.

1, 38924 Queens Way | Squamish | British Columbia | Canada | V8B 0K8
 Toll Free:(888) ECH-OFLX (324-6359) | Phone:(604) 815-0091 | Fax: (604) 815-0078
 Email: sales@echoflexsolutions.com | www.echoflexsolutions.com

Specifications subject to change without notice.
 Echoflex™ is a trademark of Echoflex Solutions, Inc.
 All other trademarks belong to their respective owners
 Part # 8DC-0012 | Revision 2.4

