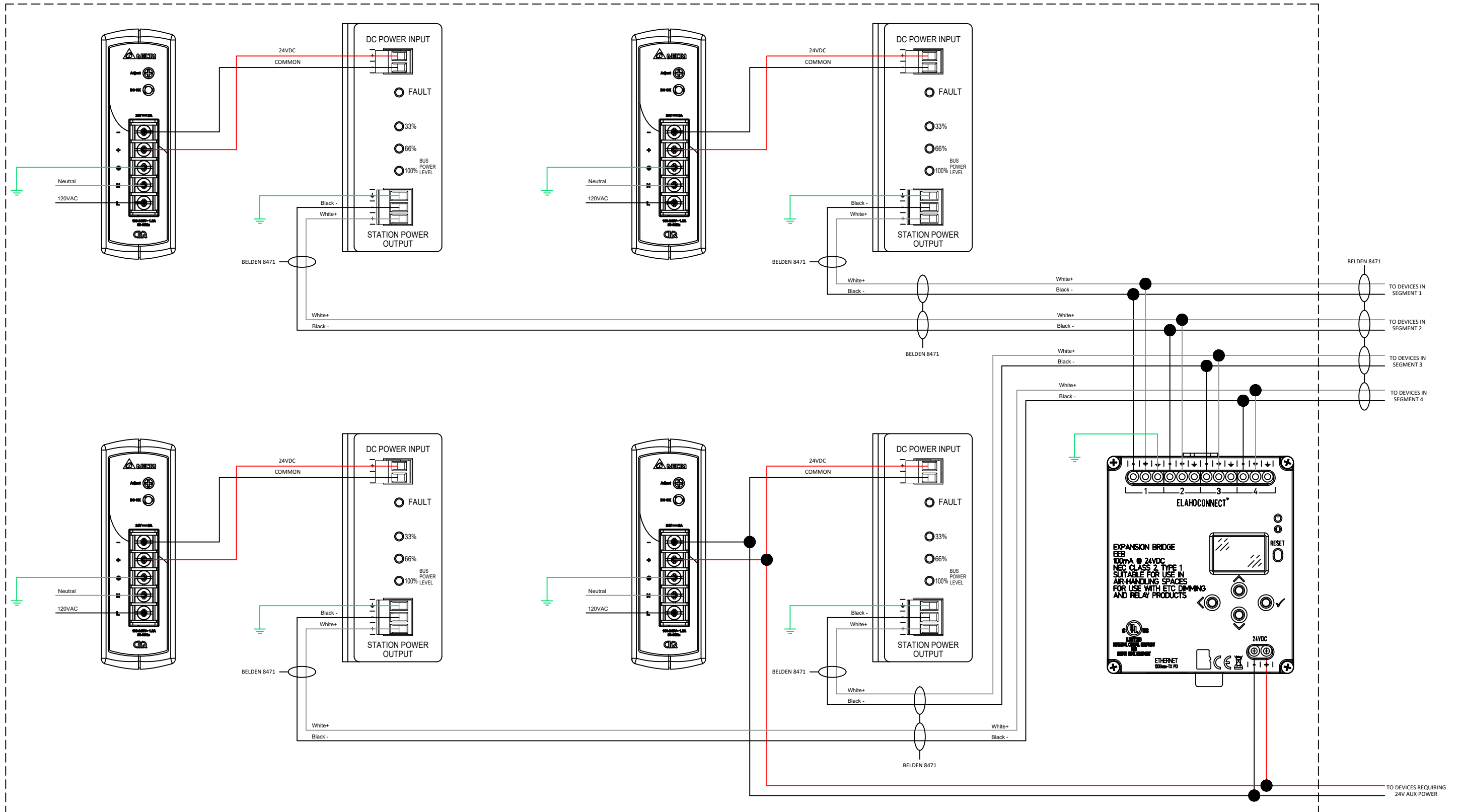


Elaho DIN Box



Quantity of devices vary by Elaho DIN box size.

DEVICE: E-SPS-DIN+EEB	
MAXIMUM LOAD RATING: 1.2A @120-240VAC	
PART #: E-SPS-DIN=8186A1212 - EEB=8186A1112	
ELECTRICAL CONNECTION: WIRE LEADS 250mm (10.0")	
TITLE: Wiring Diagram of Elaho Expansion Bridge with 4 Elaho Power Supplies	DRAWING NO: 9DC-9957

Echoflex Solutions, Inc.
 38924 Queens Way Unit #1
 Squamish, British Columbia
 Canada V8B 0K8
 Phone: 1 (778) 733-0111
 Toll Free: 1 (888) 324-6359
 Fax: 1 (604) 815-0078
 echoflexsolutions.com

UNLESS OTHERWISE SPECIFIED - ALL DIMENSIONS ARE IN MILLIMETERS.