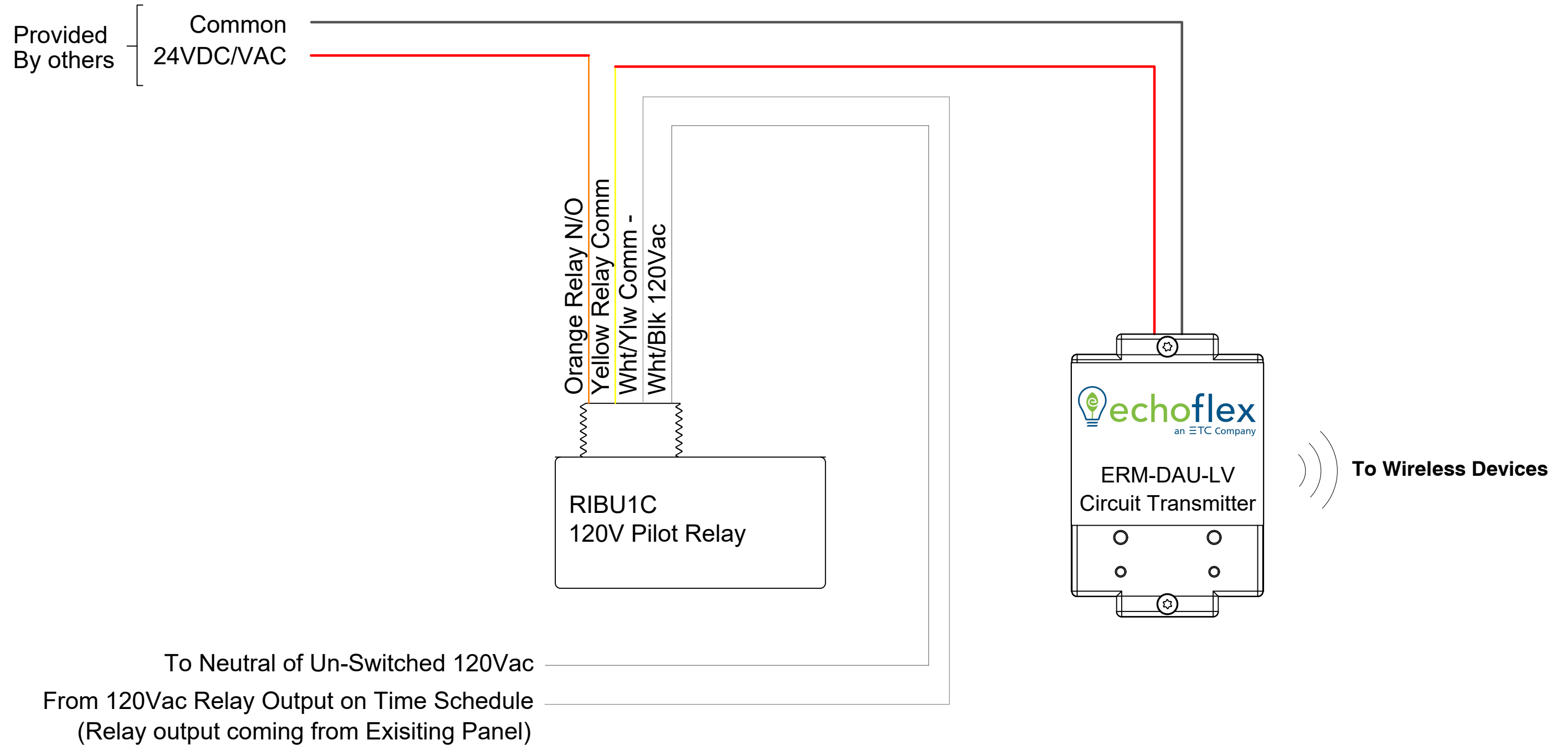


Typical Wiring Diagram - Low Voltage ERM-DAU set as Occupancy Transmitter from Third Party Line Voltage Relay Override of local occupancy control



PRELIMINARY - NOT FOR CONSTRUCTION

Echoflex Solutions, Inc.

38924 Queens Way Unit #1
Squamish, British Columbia
Canada V8B 0K8
Phone: 1 (778) 733-0111
Toll Free: 1 (888) 324-6359
Fax: 1 (604) 815-0078
echoflexsolutions.com

