

Overview

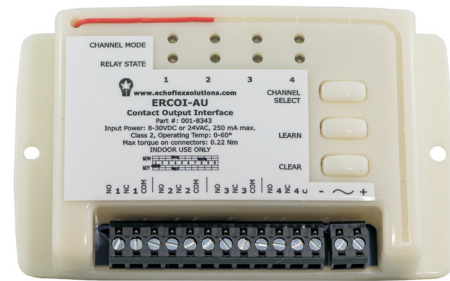
The Echoflex Contact Output Interface offers four dry contact outputs to interface with third-party devices and control systems. With type-C contacts rated for 1 amp at 30VDC, it can interface with almost any equipment creating a hybrid control solution.

Each output can be set up individually, linked to one or many wireless switches or sensors based on standard profiles.

Supported profiles:

- Key card activated switch
- Rocker switch
- Occupancy sensor
- Window/door contact
- Central command, switching and set point

The Contact Output Interface is the easiest method of integrating wireless devices into existing panels, wired control systems, or energy management systems. When used together with the Echoflex Contact Input Interface, a true hybrid control solution is possible leveraging wireless versatility with the performance of wired networked systems.



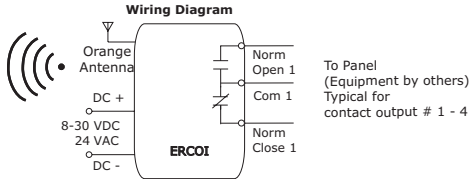
Features

- Four dry contact type-C relay channels
- Each channel operates separately, switch or sensor commands from linked wireless devices trigger the output
- Low voltage interface to fire alarm, security, lighting, or control panels
- Easy integration into any Energy Management System
- Doubles as a repeater
- Panel or DIN rail mount for tidy mounting applications
- LED interface for channel status indication
- Pluggable terminal strips
- Supports key card switch, rocker switch, occupancy sensor, window switch, and central command profiles
- Versatile 8-30VDC or 24VAC input power
- Available in 902 MHz

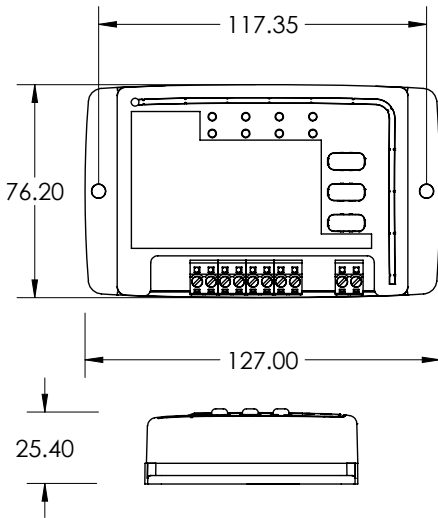
Ordering Information

Description	902 MHz Model	902 MHz PN
4 Channel Contact Output Interface, 8-30 VDC or 24VAC	ERCOI-4U	7188A1421

Wiring Diagram



Dimensional Diagram



Supported Profiles:

- F6-02-02 Light and blinds control - US/CA application
- F6-04-01 Key card activated switch
- A5-07-01 Occupancy sensor
- A5-30-02 Single input contact
- D5-00-01 1BS Input
- A5-38-08 Central command, switching and set point

Hardware Specifications

Power Supply	8-30VDC or 24VAC power input, 250mA maximum draw
Inputs	CH. Select, LEARN, and CLEAR buttons
Outputs	Four dry contact type-C relays (Com, N.C., N.O.) Contact rating: 1 A, 30 VAC/DC max Two LEDs per channel: Red - CH.MODE Green - RELAY STATE

Communications

Radio Frequency	902 MHz
Antenna	Whip
Transmission Range	24 m (80 ft) - commercial office spaces(typical), up to 100m (330 ft) line of sight

Mechanical Specifications

Operating Temperature	-10 to 45°C / 14 to 113°F
Relative Humidity	5 to 95% non-condensing
Weight	111g (3.9oz)
Dimensions	76.2 x 127 x 27 mm (3 x 5 x 1")
Mounting	Two screws (not included)

Listings

Radio Frequency (902 MHz)

- FCC Part 15.231 -Remote Control Transmitter
- IC RSS-210



Specifications are subject to change without notification
Document 8DC-0719 | Revision 1.5

